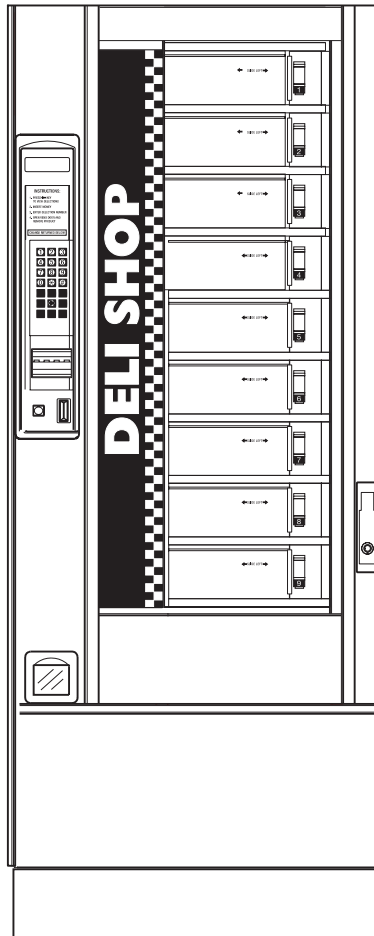


4360007

Model 436

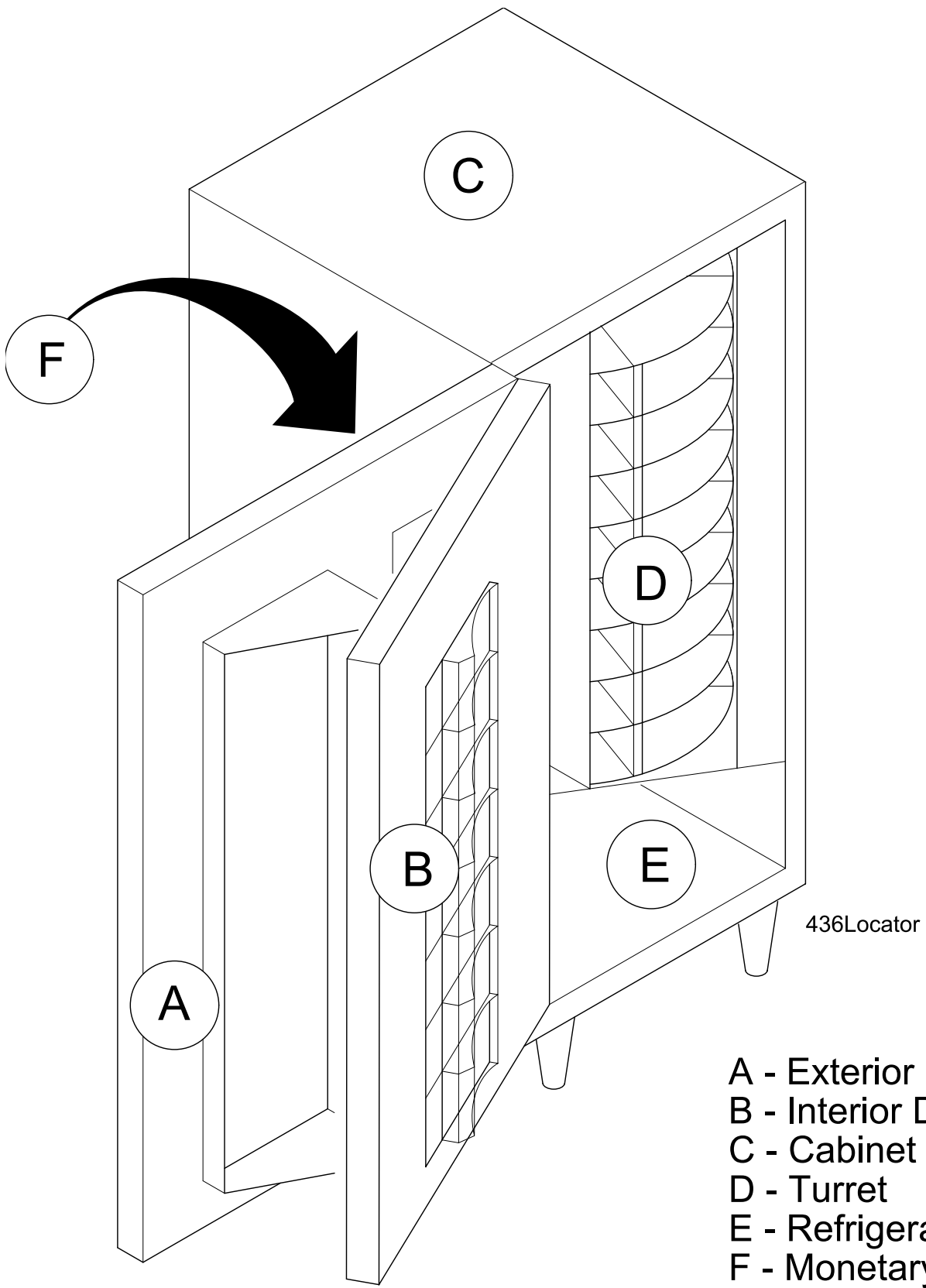


Deli Shop



436P0024

Parts Manual



List of Figures

Figure	Title	Page
Section A: Exterior Door		2
1	Trim and Panels - Part 1	2
2	Trim and Panels - Part 2	4
3	Door Lock and Handle Assembly	6
4	Lock Bar Assembly	8
5	Shadow Box and Blower Assembly	10
6	Blower Assembly	12
Section B: Interior Door		14
7	Inner Door Exterior	14
8	Inner Door Interior	16
9	Vend Door	18
10	Vend Door Solenoid Assembly	20
Section C: Cabinet		22
11	Major Cabinet Assemblies	22
12	Switch and Mounting Bracket Assembly	24
13	Inner Panels	26
14	Return Air Light Assembly	28
15	Power Panel Assembly	30
16	Base Plate Accessory and Miscellaneous Cabinet Parts	32
17	Upper Hinge Assembly	34
18	Leg Assemblies	36
19	Duct Support Assemblies	38
20	Cabinet Components - Rear.....	40
Section D: Turret		42
21	Turret Assembly	42
22	Tray Half Assembly	44
23	Turret Motor Assembly	46
Section E: Refrigeration		48
24	Refrigeration - Part 1	48
25	Refrigeration - Part 2	50
26	Refrigeration - Part 3	52
27	Insulation	54
28	Refrigeration - Part 4	56
29	Refrigeration - Part 5	58
30	Refrigeration - Part 6	60
31	Refrigeration - Part 7	62
Section F: Monetary		64
32	Monetary - Part 1	64
33	Monetary - Part 2	66
34	Monetary - Part 3	68
37	Money Box Assembly	72
Section G: Miscellaneous		74
38	Wiring Harnesses.....	74

NOTES

List of Tables

Table	Title	Page
Section A: Exterior Door		2
1	Trim and Panels - Part 1	3
2	Trim and Panels - Part 2	5
3	Door Lock and Handle Assembly	7
4	Lock Bar Assembly	9
5	Shadow Box and Blower Assembly	11
6	Blower Assembly	13
Section B: Interior Door		14
7	Inner Door Exterior	15
8	Inner Door Interior	17
9	Vend Door	19
10	Vend Door Solenoid Assembly	21
Section C: Cabinet		22
11	Major Cabinet Assemblies	23
12	Switch and Mounting Bracket Assembly	25
13	Inner Panels	27
14	Return Air Light Assembly	29
15	Power Panel Assembly	31
16	Base Plate Accessory and Miscellaneous Cabinet Parts	33
17	Upper Hinge Assembly	35
18	Leg Assemblies	37
19	Duct Support Assemblies	39
20	Cabinet Components - Rear.....	41
Section D: Turret		42
21	Turret Assembly	43
22	Tray Half Assembly	45
23	Turret Motor Assembly	47
Section E: Refrigeration		48
24	Refrigeration - Part 1	49
25	Refrigeration - Part 2	51
26	Refrigeration - Part 3	53
27	Insulation	55
28	Refrigeration - Part 4	57
29	Refrigeration - Part 5	59
30	Refrigeration - Part 6	61
31	Refrigeration - Part 7	63
Section F: Monetary		64
32	Monetary - Part 1	65
33	Monetary - Part 2	67
34	Monetary - Part 3	69
35	Coin Unit Options.....	70
36	Bill Validator Options	71

Table	Title	Page
37	Money Box Assembly	73
Section G: Miscellaneous		74
38	Wiring Harnesses	75
40	Bag Assembly - U.K.	76
41	Bag Assembly - Mexico	76
39	Bag Assembly - U.S./canada	76

NOTES

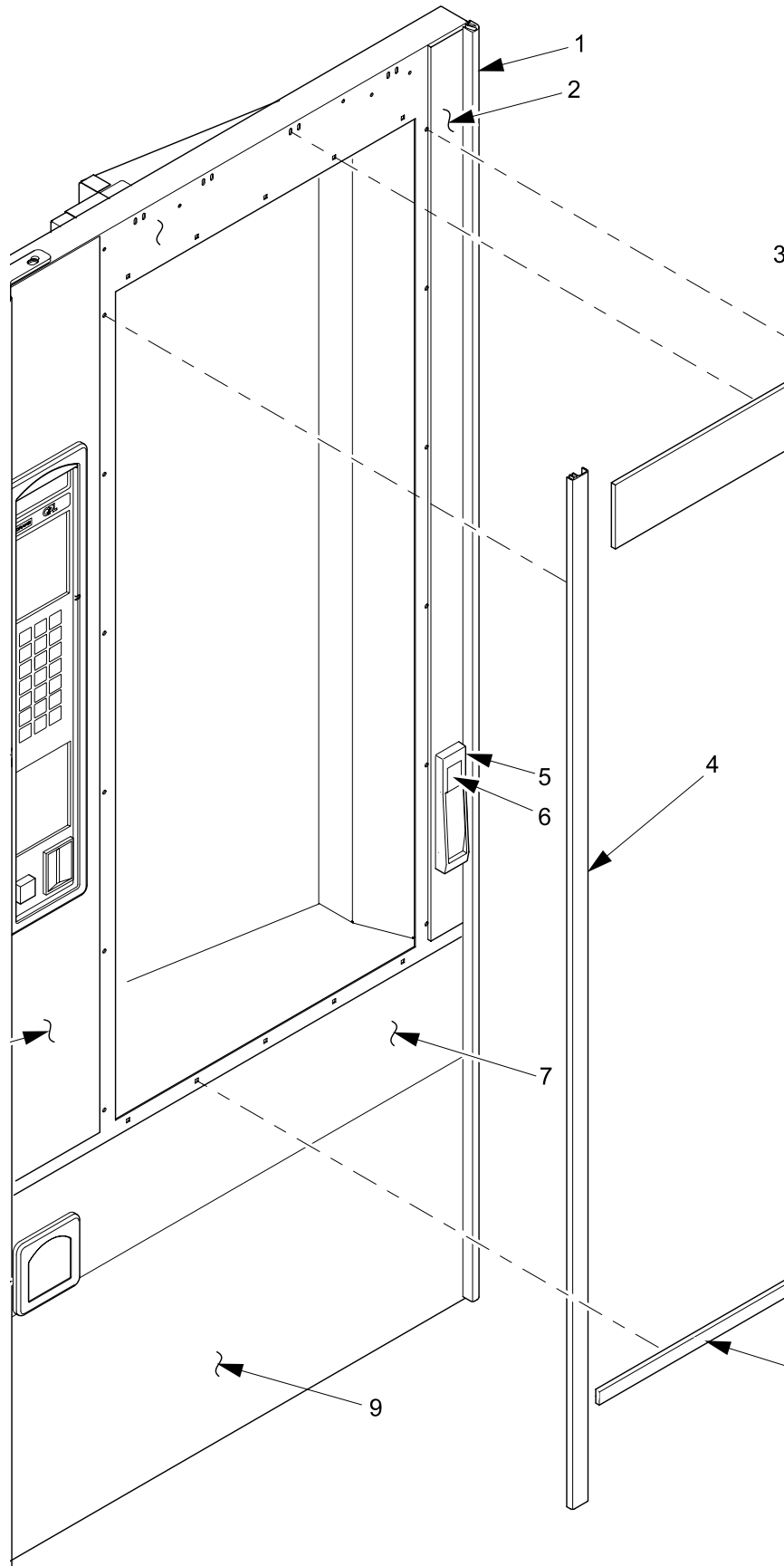


Figure 1. Trim and Panels - Part 1

TABLE 1. TRIM AND PANELS - PART 1

INDEX	PART NUMBER	DESCRIPTION	QTY
1	1592032	TRIM - DOOR - SIDE - CLEAR (CLEAR TRIM)	2
	1592069	TRIM - DOOR - SIDE - BLACK (BLACK TRIM)	
2	4362017	PANEL - RH TRIM - FLAT" T"BLACK	1
3	1592031	TRIM - DOOR - INSIDE - CLEAR	2
	1592068	TRIM - DOOR - INSIDE - BLACK	
4	1172190	LEVER - LOCK	1
5	1172191	BASE - LEVER - LOCK	1
6	4362023	TRIM - DOOR - HORIZONTAL - CLEAR	1
	4362031	TRIM - DOOR - HORIZONTAL - BLACK	
7	4362021	PANEL - LOWER - MIDDLE - FLAT" T"BLK	1
8	4272040	TRIM - DOOR - HORIZONTAL - CLEAR	1
	4272069	TRIM - DOOR - HORIZ - BLACK	
9	4272046	PANEL - LOWER - HORZ. - FLAT T BLACK	1
10	1572011	TRIM - COIN CUP - BLACK	1
11	4272060	PRODUCT GUIDE EDGE TRIM	4"
12	4362015	PANEL - LH TRIM - FLAT" T"BLACK	1
	4362016	PANEL - LH TRIM	
13	4272060	PRODUCT GUIDE EDGE TRIM	2"
14	1575106	CASTING - MONETARY FRAME - BLACK	1
15	4362019	TRIM - HORIZ - DOOR - FLAT" T"BL	1
16	4362032	DOOR ASSEMBLY - COMMON	1

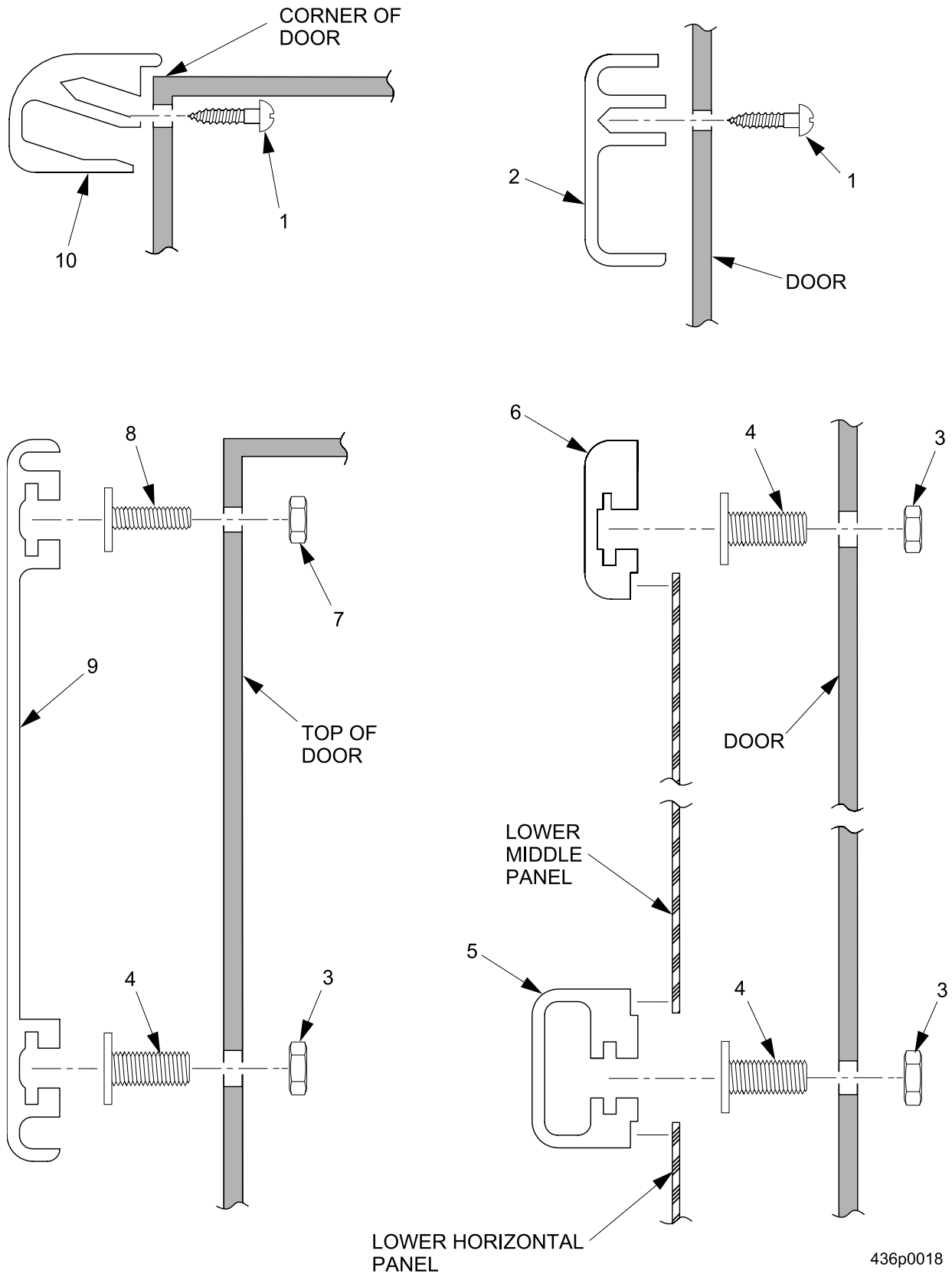


Figure 2. Trim and Panels - Part 2

TABLE 2. TRIM AND PANELS - PART 2

INDEX	PART NUMBER	DESCRIPTION	QTY
1	G1472028	SCREW - #6 X .38 SHEET METAL	40
2	1592031	TRIM - DOOR - INSIDE - CLEAR	2
	1592068	TRIM - DOOR - INSIDE - BLACK	
3	9900081	NUT #8 - 32 KEPS ZINC PLATE	-
4	2222110	T BOLT - TRIM	15
5	4272040	TRIM - DOOR - HORIZONTAL - CLEAR	1
	4272069	TRIM - DOOR - HORIZ - BLACK	
6	4362023	TRIM - DOOR - HORIZONTAL - CLEAR	2
	4362031	TRIM - DOOR - HORIZONTAL - BLACK	
7	9900078	NUT #6 - 32 KEPS ZINC PLATE	-
8	1572060	TEE BOLT - TRIM - #6 - 32 X 3/8	4
9	4362019	TRIM - HORIZ - DOOR - FLAT" T"BL	1
10	1592032	TRIM - DOOR - SIDE - CLEAR	2
	1592069	TRIM - DOOR - SIDE - BLACK	

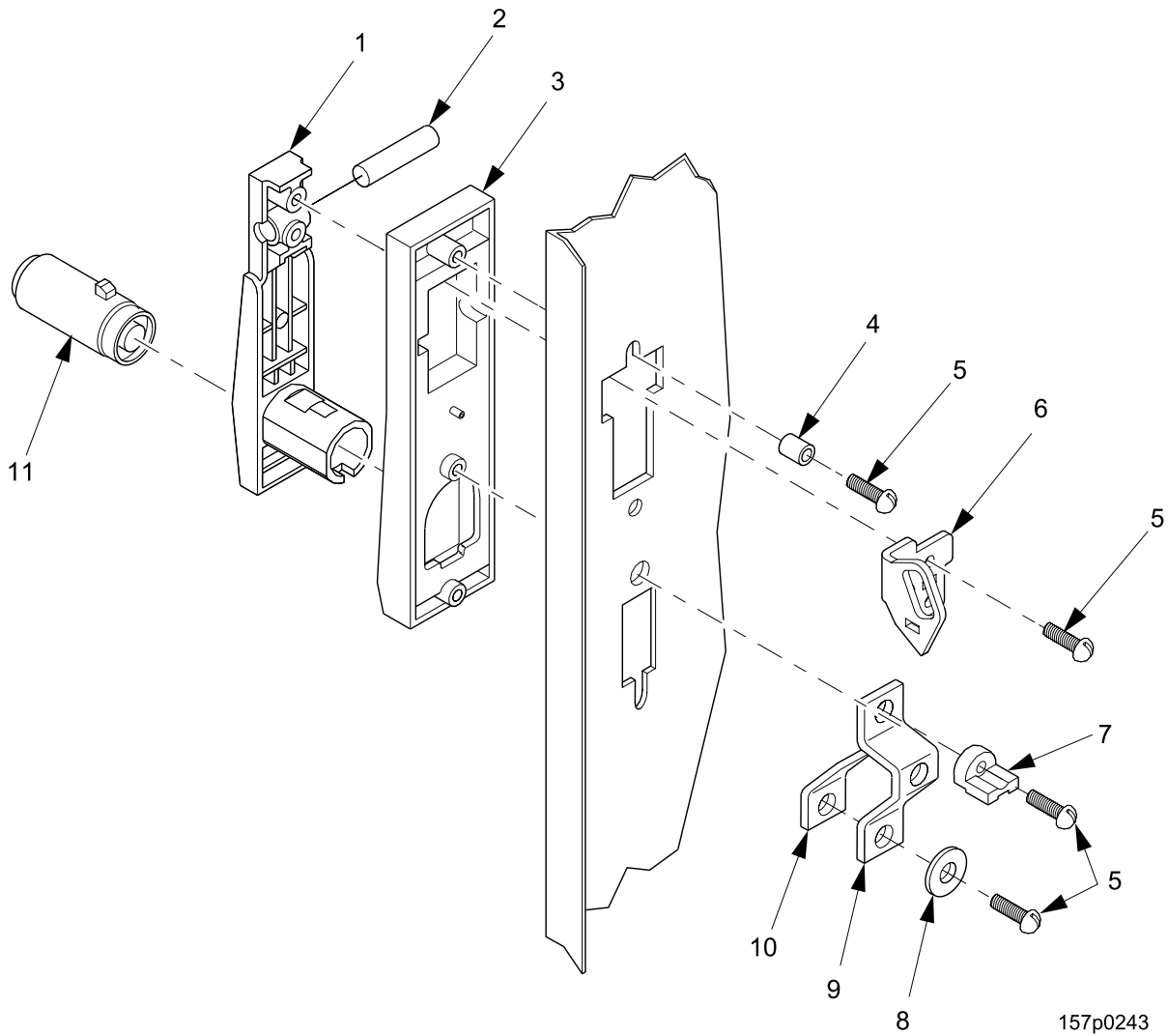
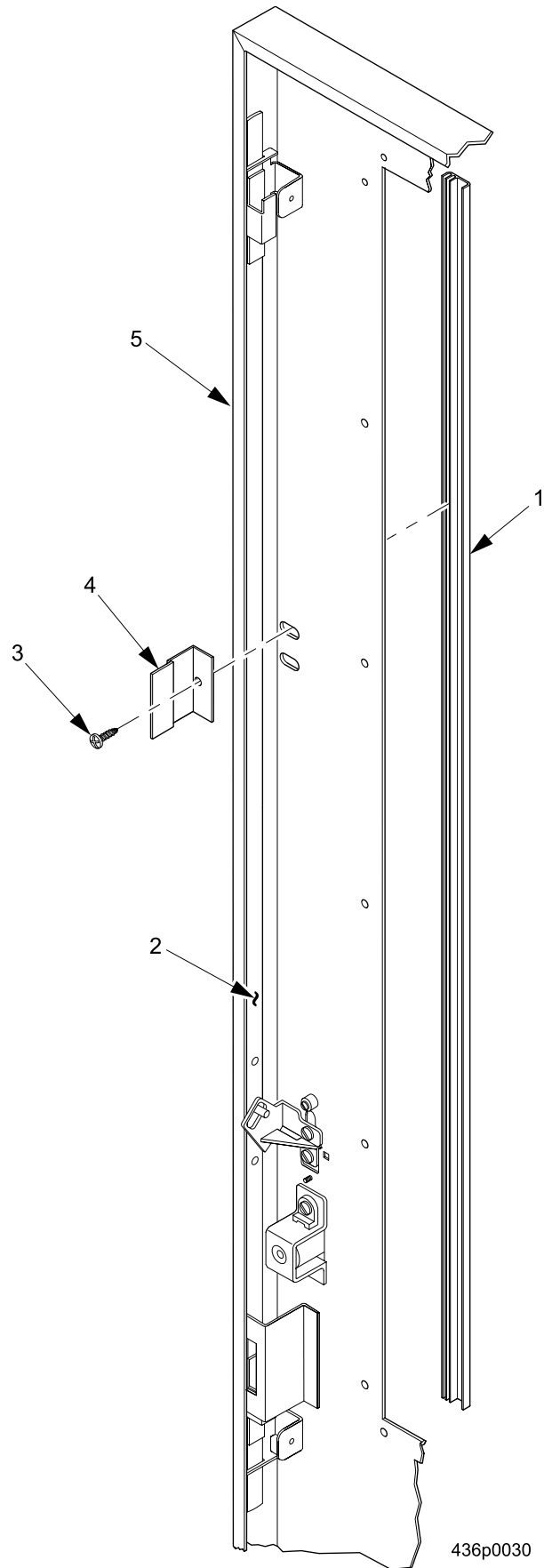


Figure 3. Door Lock and Handle Assembly

TABLE 3. DOOR LOCK AND HANDLE ASSEMBLY

INDEX	PART NUMBER	DESCRIPTION	QTY
1	1172190	LEVER - LOCK	1
2	1302291	PIVOT - LEVER LOCK	1
3	1172191	BASE - LEVER LOCK	1
4	1302289	CUP SPACER	1
5	9900160	SCREW - #8 - 18 X 1/2" PHIL. PAN HD.	5
6	2272052	ACTUATOR ASSEMBLY - LOCK BAR	1
7	1302326	SHIELD - LATCH	1
8	9900121	WASHER - STEEL - 7/16 X .203 X .032	1
9	1302324	CATCH - DOOR LATCH	1
10	1302290	LATCH - LOCK LOWER	1
11	9992400	CYLINDER - LOCK	OPT.
	3112163	VAN LOCK	
-	3112164	KEY (NOT SHOWN)	OPT.
		VAN LOCK APPLICATION (NOT SHOWN)	

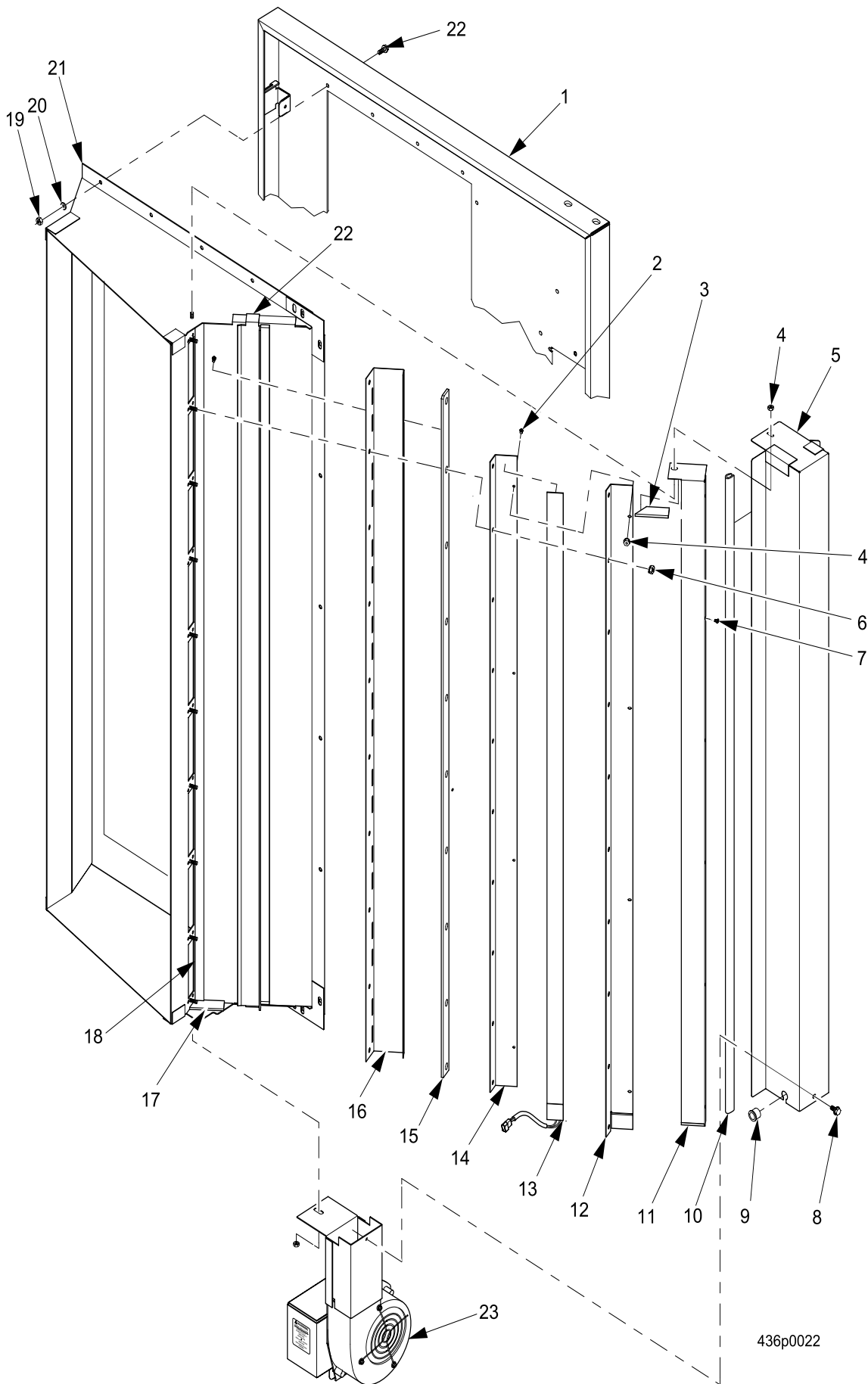


436p0030

Figure 4. Lock Bar Assembly

TABLE 4. LOCK BAR ASSEMBLY

INDEX	PART NUMBER	DESCRIPTION	QTY
1	1592032	TRIM - DOOR - SIDE - CLEAR	2
	1592069	TRIM - DOOR - SIDE - BLACK	
2	1472178	LOCK BAR ASSEMBLY	1
3	G1472028	SCREW - SHEET METAL - #6 X .38	-
4	1472250	GUIDE - LOCK BAR	1
5	4362032	DOOR ASSEMBLY - COMMON	1



436p0022

Figure 5. Shadow Box and Blower Assembly

TABLE 5. SHADOW BOX AND BLOWER ASSEMBLY

INDEX	PART NUMBER	DESCRIPTION	QTY
1	4362032	DOOR ASSEMBLY-COMMON	REF
2	1212140	SCREW - #4 - 40 X 1/4 RHS	4
3	4362059	SPACER - TAPE - TOP	1
4	1217159	4-40 KEPS W/EXT L/WAS H ZP	-
5	4362049	CHANNEL ASSY - WARM AIR	1
6	9900081	NUT #8-32 KEPS ZINC PLATE	4
7	9900130	SCREW #6 - 32 X 1/4 PHS S/T	-
8	1141046	SCREW - #10 - 32X3/8 HEX W/H	-
9	3502097	BUSHING #OCB - 500	1
10	4272060	PRODUCT GUIDE EDGE TRIM	3'
11	4362057	COVER - HEATER ASSY	1
12	4362051	CLAMP - HEATER	1
13	4272053	HEATER - 230V - 125W	1
	4272052	HEATER - 115 V - 125 W	
14	4362052	MOUNT - HEATER	1
15	4362060	SPACER - TAPE - MOUNTING	1
16	4362053	PLATE - VENT OPENING	1
17	4362058	SPACER - TAPE - BOTTOM	1
18	4311211	GASKET-FOAM-1/8 X 1/2	A/R
19	9900081	NUT #8-32 KEPS ZINC PLATE	-
20	9900035	WASHER - STL 7/16 X 3/16 X 3/64	-
21	4362006	WELD ASSY - SHADOW BOX	1
22	4362013	RETAINER - COVER	1
23	-	BLOWER ASSEMBLY (SEE FIGURE 6)	1

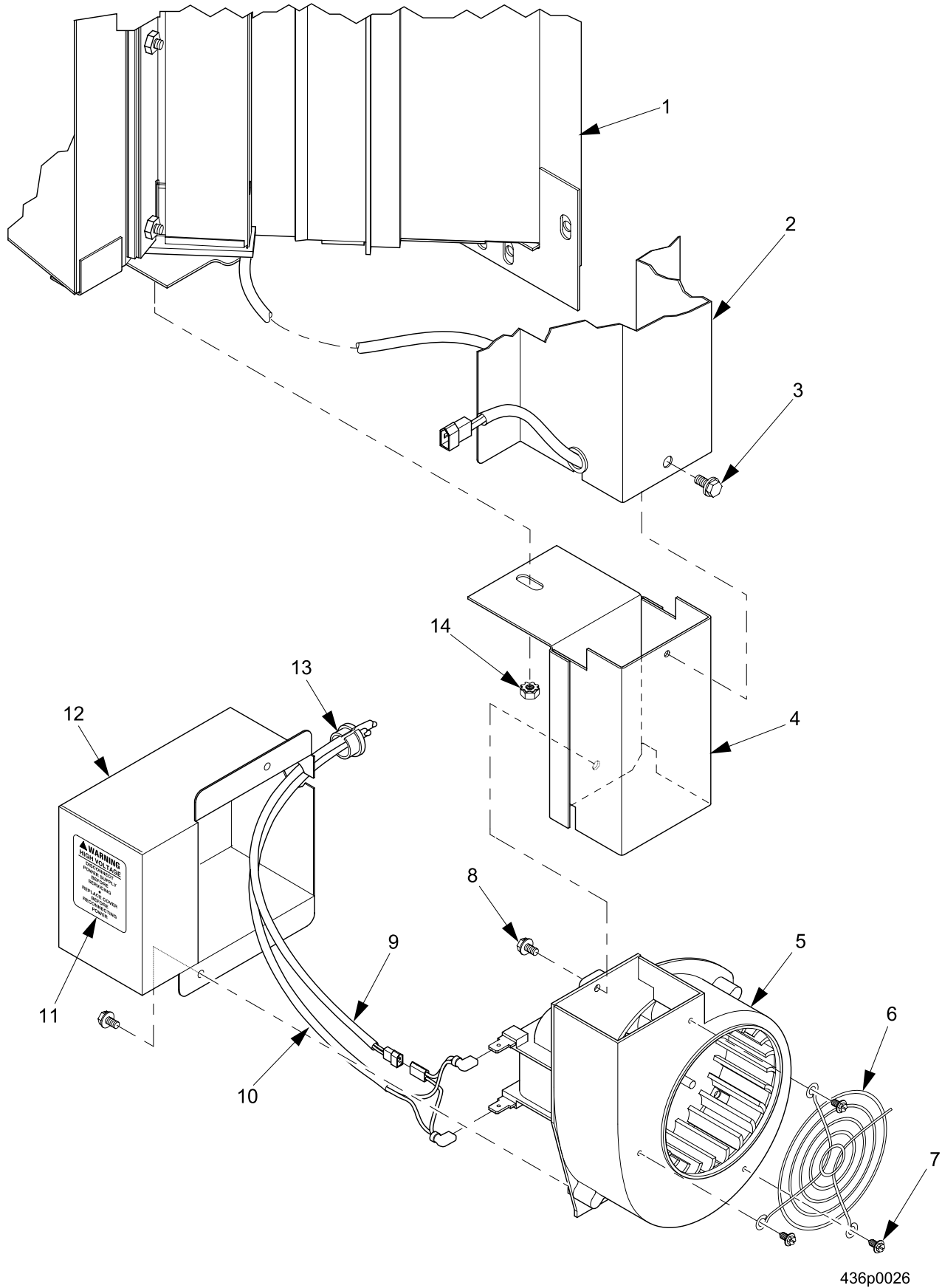
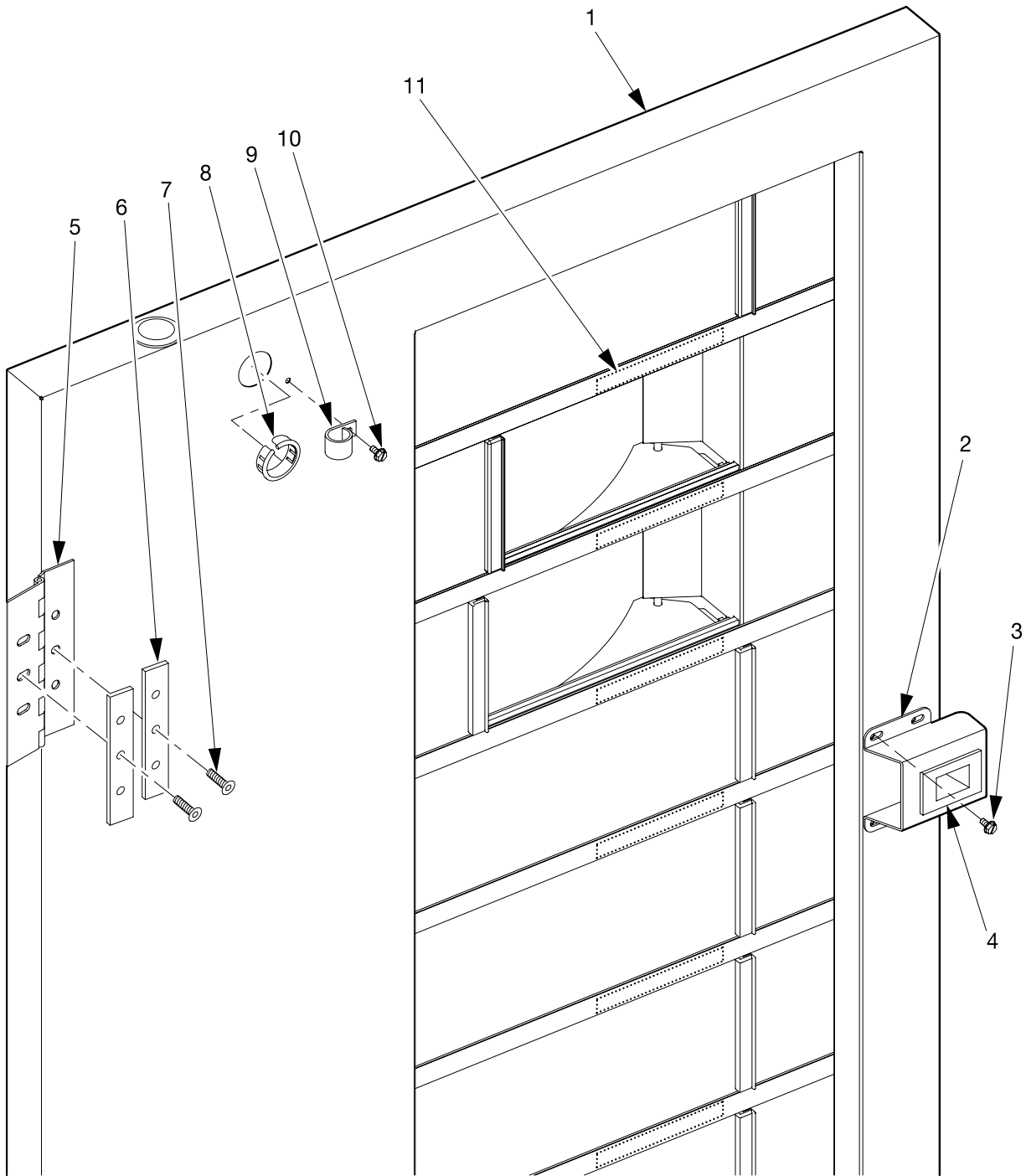


Figure 6. Blower Assembly

TABLE 6. BLOWER ASSEMBLY

INDEX	PART NUMBER	DESCRIPTION	QTY
--	4362054	BLOWER & MOUNTING ASSEMBLY (115 V)	1
	4362061	BLOWER & MOUNTING ASSEMBLY - 230V	
1	4362071	WELD ASSEMBLY - SHADOW BOX	1
2	4362049	CHANNEL ASSEMBLY - WARM AIR	1
3	1141046	SCREW - #10 - 32X3/8 ACORN HEX W/H	1
4	4362055	MOUNTING ASSEMBLY - BLOWER	1
5	4312210	BLOWER ASSEMBLY - 120V	1
	4312211	BLOWER ASSEMBLY - 230V	
6	4272002	GUARD - BLOWER FAN	1
7	4721035	SCREW - #8 - 18 X .38 - LGM	3
8	1451097	SCREW - #8 - 32X.31 HEX HD.TF-BL	1
9	4279033	HARNESS - AC POWER & PANEL	1
10	4369004	HARNESS - POWER & RELAYS TO PCB	1
11	6231189	LABEL - WARNING - HIGH VOLTAGE	1
12	4271098	COVER - MOTOR	1
13	3502097	BUSHING #OCB-500	1
14	9900081	NUT #8 - 32 KEPS ZINC PLATE	1



436p0028

Figure 7. Inner Door Exterior

TABLE 7. INNER DOOR EXTERIOR

INDEX	PART NUMBER	DESCRIPTION	QTY
1	4293001	INNER DOOR ASSY - FOAMED	1
2	4363028	BRACKET - LATCH MOUNTING	1
3	1451097	SCREW - #8 - 32X.31 HEX HD.TF - BLK.	-
4	4273039	LATCH - COLD FOOD DOOR	1
5	4361001	HINGE - DOOR - INNER	2
6	4361002	STIFFENER - HINGE	4
7	4273093	SCREW FLT HD #10 - 32 X 1/2	6
8	4271057	BUSHING - 1.0" - OPEN/CLOSED	2
9	4732024	RETAINER - HARNESS	1
10	3157060	SCREW - #8-32 X .31 HEX W/ HD. SLOTTED-T/F-ZINC PL	-
11	4270025	LABEL - LOCATE FOOD HERE	1

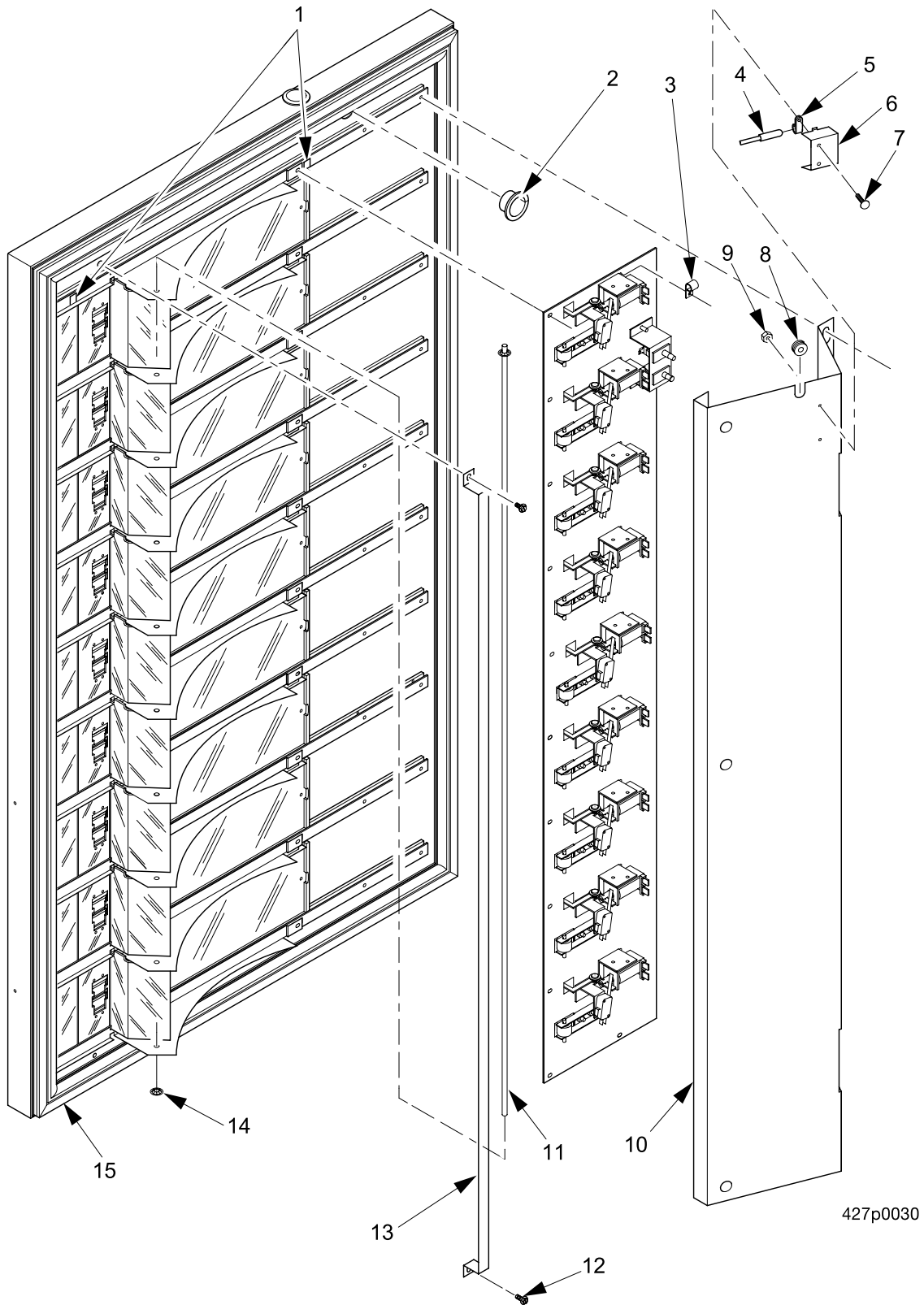
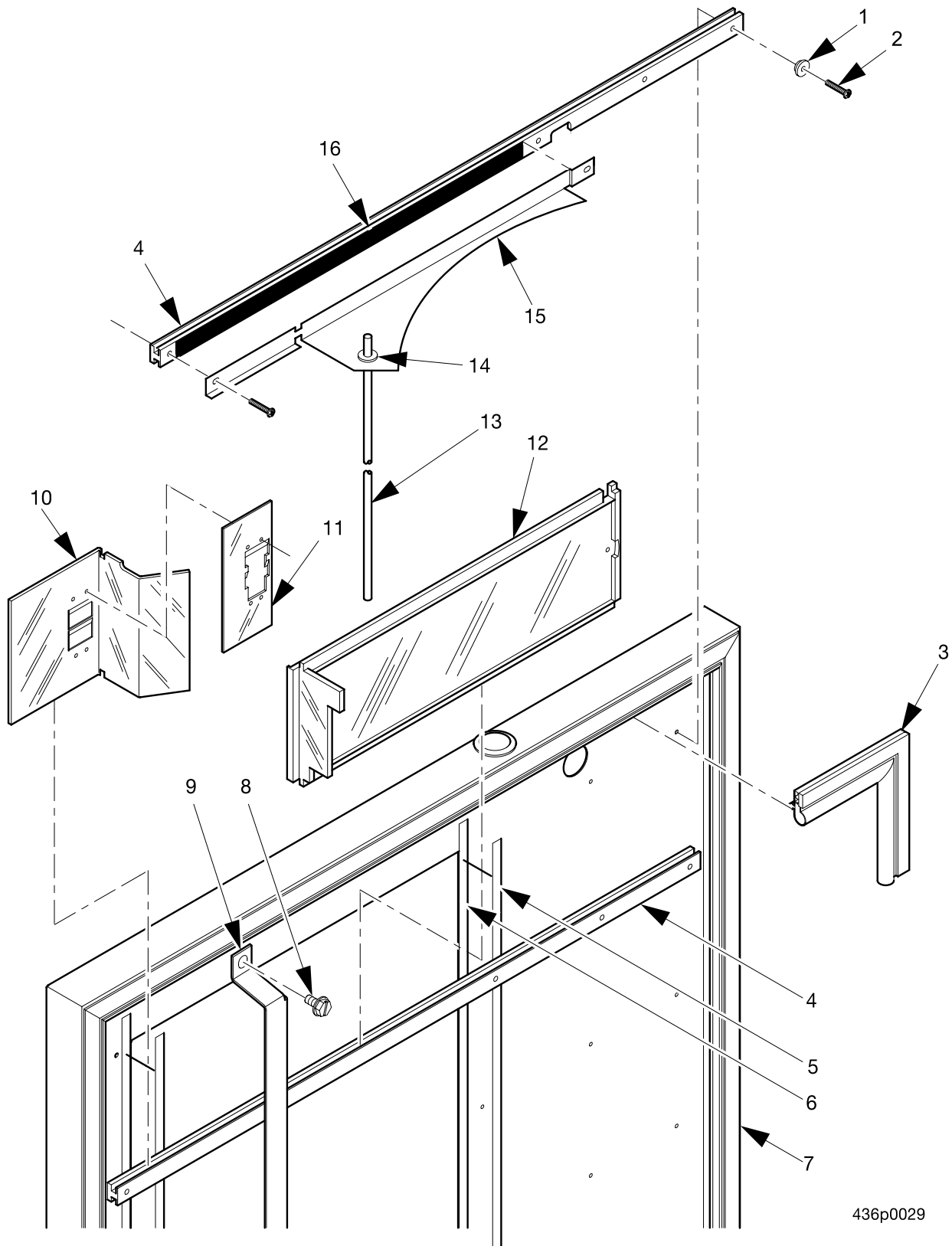


Figure 8. Inner Door Interior

TABLE 8. INNER DOOR INTERIOR

INDEX	PART NUMBER	DESCRIPTION	QTY
1	4312124	TAPE FLOCKED - .25" WIDE	88.0"
2	4271057	BUSHING - 1.0" - OPEN/CLOSED	2
3	1452139	RETAINER - HARNESS	1
4	9987852	PROBE - TEMP.SENSOR	1
5	1211161	CABLE CLAMP - RICHCO # N4	1
6	4272093	COVER ASSY - SENSOR	1
7	9900092	SCREW - #6 - 32 X 3/8 PHIL.PH.	-
8	3502097	BUSHING #OCB - 500	1
9	9900016	NUT #6 - 32	-
10	4363007	COVER - SOLENOID - INNER DOOR - BLK	1
11	4273044	TAB - LOCK - HOLDER PLATE	1
12	1451097	SCREW - #8 - 32X.31 HEX HD.TF - BLK.	-
13	4293014	STOP - DOOR - REINFORCEMENT	1
14	5201266	PUSH ON RETAINER .187	2
15	4293001	INNER DOOR ASSY - FOAMED	1



436p0029

Figure 9. Vend Door

TABLE 9. VEND DOOR

INDEX	PART NUMBER	DESCRIPTION	QTY
1	4273021	INNER GUARD BUSHING	6
2	9900220	SCREW - #6 - 20 X 1.25 PH PHILLIPS	40
3	4273112	DOOR GASKET - 427 FOODKING	1
4	4363023	TRACK - DOOR - VEND	10
5	4312124	TAPE FLOCKED-.25" WIDE	88"
6	4112095	TAPE-FOAM	88"
7	4293001	INNER DOOR ASSY - FOAMED	1
8	1451097	SCREW - #8 - 32X.31 HEX HD.TF - BLK.	-
9	4293014	STOP - DOOR - REINFORCEMENT	1
10	4273115	DOOR STOP & PRICE HOLDER	9
11	4273023	PRICE TAG RETAINER	9
12	4273114	VEND DOOR	9
13	4273044	TAB - LOCK - HOLDER PLATE	1
14	5201266	PUSH ON RETAINER .187	2
15	4363008	SHIELD - TRAY	10
16	4273106	TAPE - DOUBLE SIDED - 1/2"W X 1/32THK.	4.17'

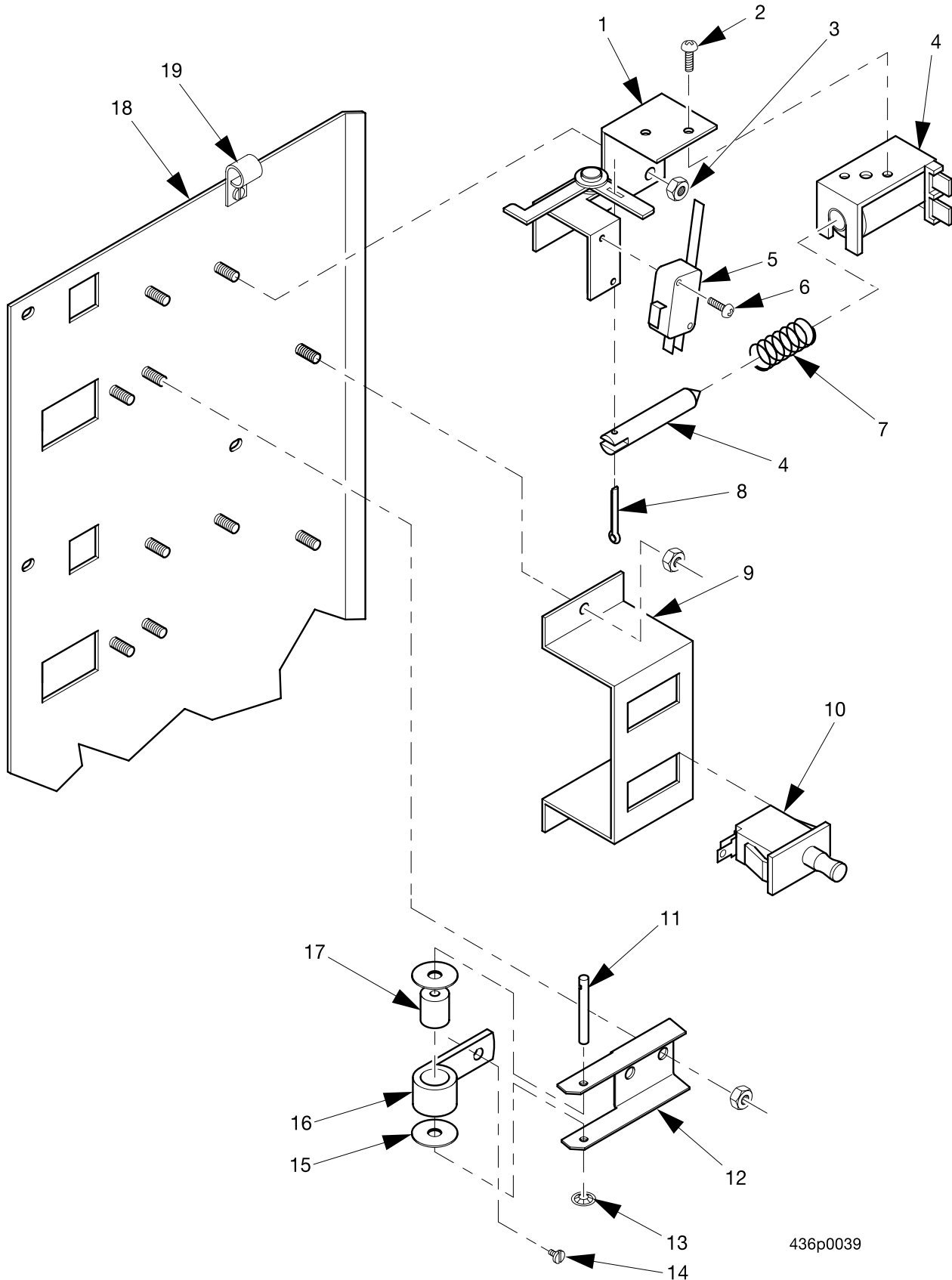
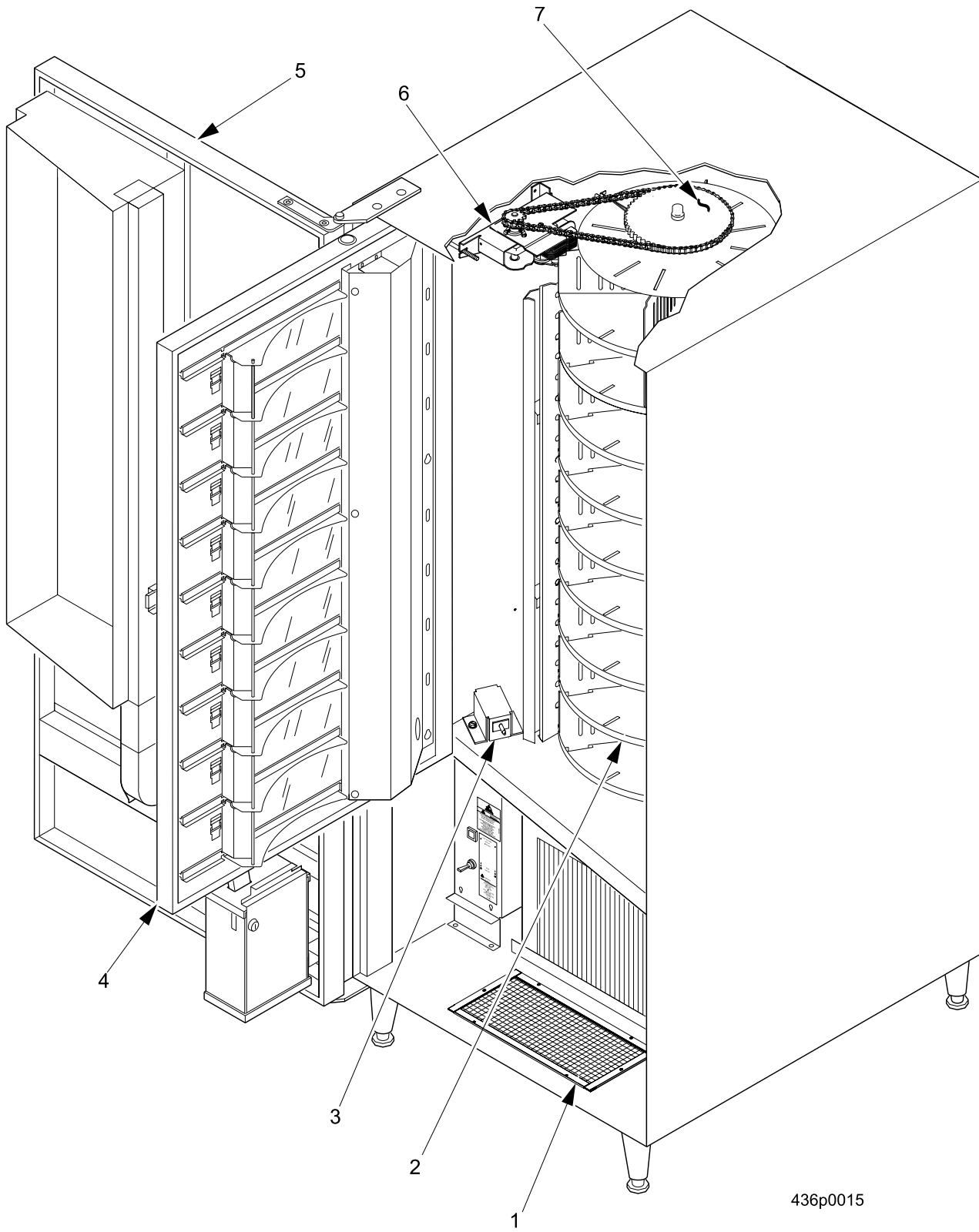


Figure 10. Vend Door Solenoid Assembly

TABLE 10. VEND DOOR SOLENOID ASSEMBLY

INDEX	PART NUMBER	DESCRIPTION	QTY
1	4363000	BRACKET ASSY - SOLENOID MTG.	1
2	9900090	SCREW #6 - 32 X 3/16 RHS W/LKW	-
3	9900081	NUT #8 - 32 KEPS ZINC PLATE	-
4	4252029	SOLENOID - 24 VDC	6
5	9984633	SWITCH - LEVER	1
6	5262141	SCREW 4 - 40 X 9/16 PHP	2
7	4273019	SPRING	1
8	9900140	COTTER PIN 1/16 X 7/16	-
9	4273079	BRACKET - SWITCH MOUNTING	1
10	1236050	SWITCH	1
		SWITCH (POLYVEND U.K. ONLY)	2
-	4363029	SPRING ASSEMBLY - VEND DOOR (INCLUDES ITEM NUMBERS 11 THROUGH 13, AND 15 THROUGH 17)	9
11	4363014	SHAFT - ROLLER - SPRING	1
12	4363030	BRACKET-SPRING-VEND DOOR	1
13	4273050	STUD PUSHNUT	1
14	4245186	SCREW - #8 32 X 1/4 PHS - T/F	9
15	4363031	WASHER-VEND DOOR SPRING ASSY.	2
16	4363032	SPRING-VEND DOOR RETURN	1
17	4363013	ROLLER - SPRING	1
18	4363016	PLATE - SOLENOID MOUNTING	1
19	1452139	RETAINER - HARNESS	1

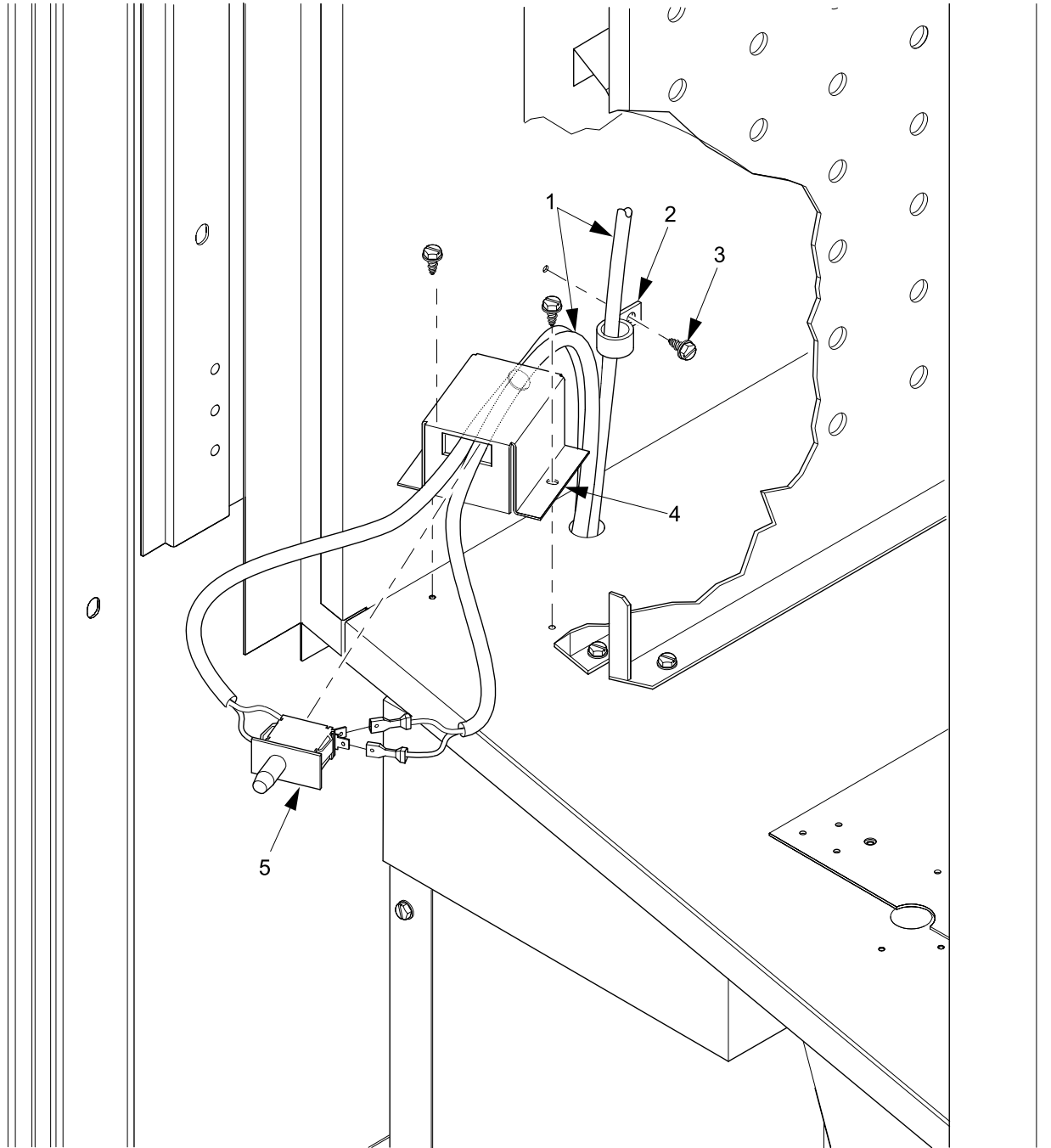


436p0015

Figure 11. Major Cabinet Assemblies

TABLE 11. MAJOR CABINET ASSEMBLIES

INDEX	PART NUMBER	DESCRIPTION	QTY
1	4271066	SCREEN ASSEMBLY	1
2	-	TURRET (SEE FIGURE 21)	1
3	-	SWITCH AND MOUNTING BRACKET ASSEMBLY (SEE FIGURE 12)	1
4	-	INNER DOOR ASSEMBLY (SEE FIGURE 7)	1
5	4362032	DOOR ASSEMBLY - COMMON	1
6	4271088X	TURRET MOTOR ASSEMBLY - 115V (SEE FIGURE 23)	1
	4271108X	TURRET MOTOR ASSEMBLY - 230V (SEE FIGURE 23)	
7	4277012	SPROCKET - 60 TOOTH - MODIFIED (SEE FIGURE 21)	1

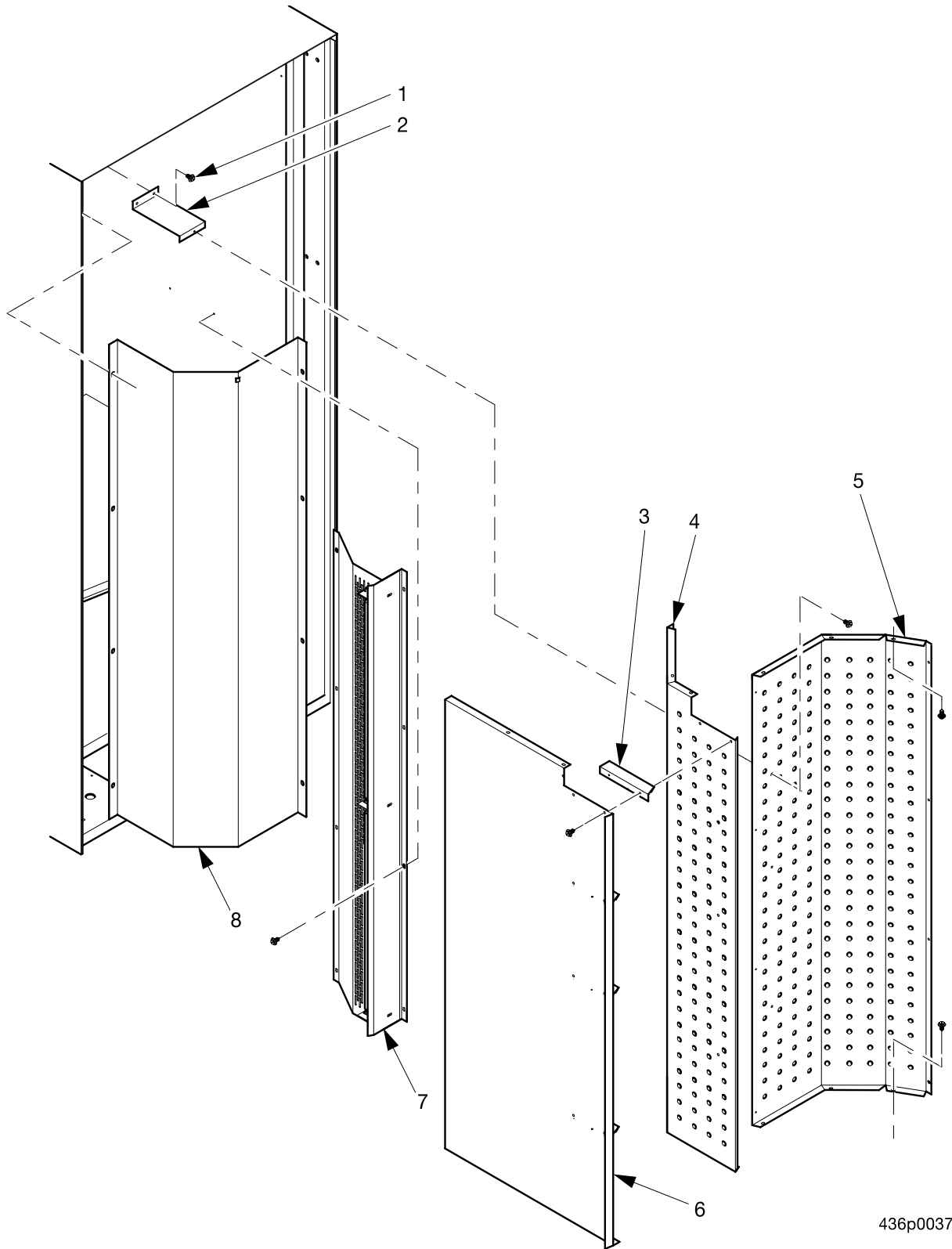


427p0044

Figure 12. Switch and Mounting Bracket Assembly

TABLE 12. SWITCH AND MOUNTING BRACKET ASSEMBLY

INDEX	PART NUMBER	DESCRIPTION	QTY.
1	4369003	HARNESS - COLD AC	1
2	4751060	RETAINER-HARNESS	1
3	1451097	SCREW - #8 - 32X.31 HEX HD.TF - BLK.	-
4	4361059	BRACKET - SWITCH MOUNTING	1
5	1211141	SWITCH	1

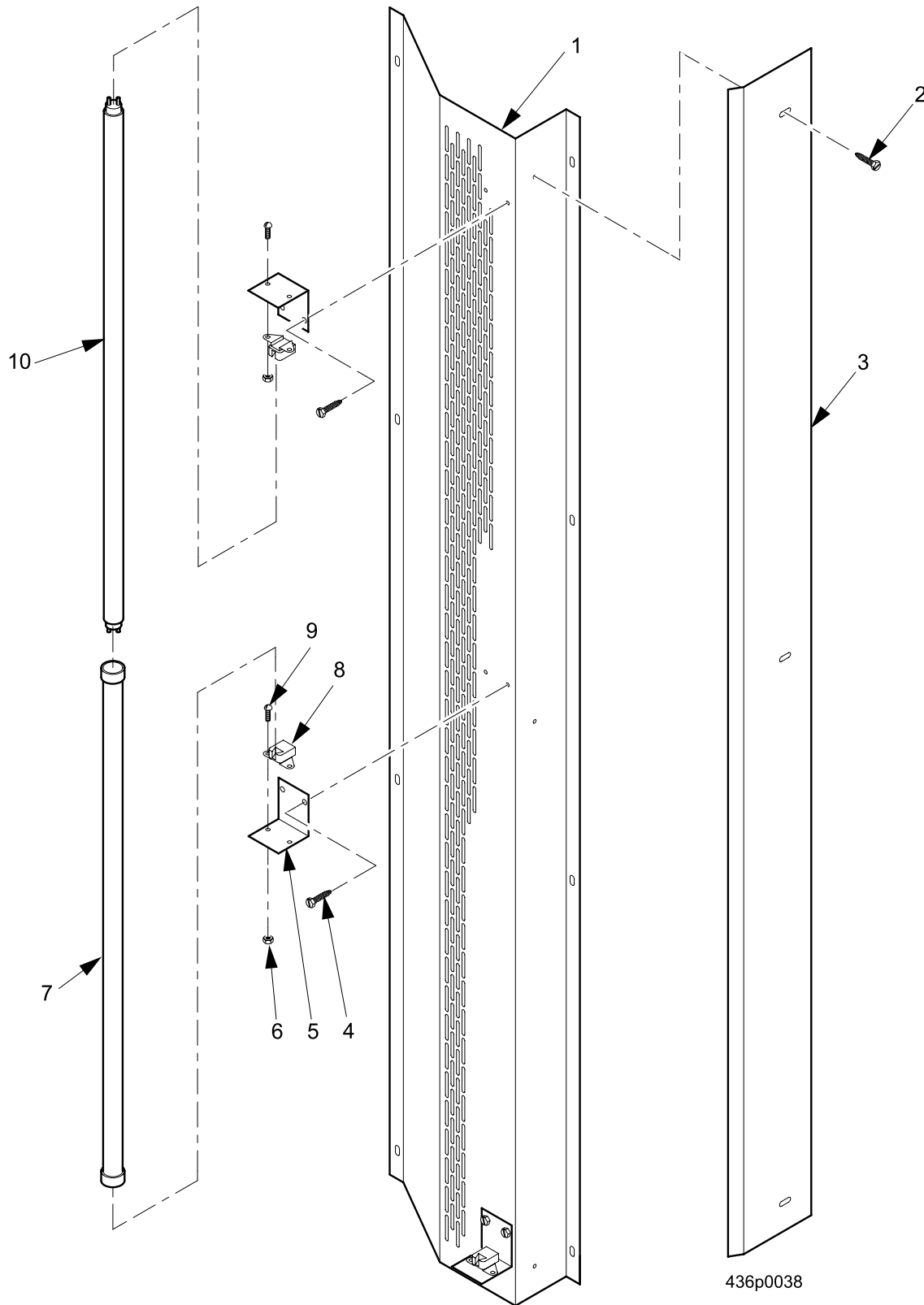


436p0037

Figure 13. Inner Panels

TABLE 13. INNER PANELS

INDEX	PART NUMBER	DESCRIPTION	QTY.
1	4721035	SCREW - #8 - 18 X .38 - LGM	-
2	4271152	BRACKET - SPACING - LEFT - BLACK	3
3	4361042	BAFFLE - DISCHARGE - LEFT - BLK	1
4	4361041	PANEL - INNER CENTER - BLK	1
5	4361040	PANEL - INNER RIGHT - BLK	1
6	4271151	PANEL - INNER - LEFT - BLACK	1
7	4361027	LIGHT & RETURN AIR ASSY - BLK	1
8	4361030	DUCT - EXTENSION - BLK	1

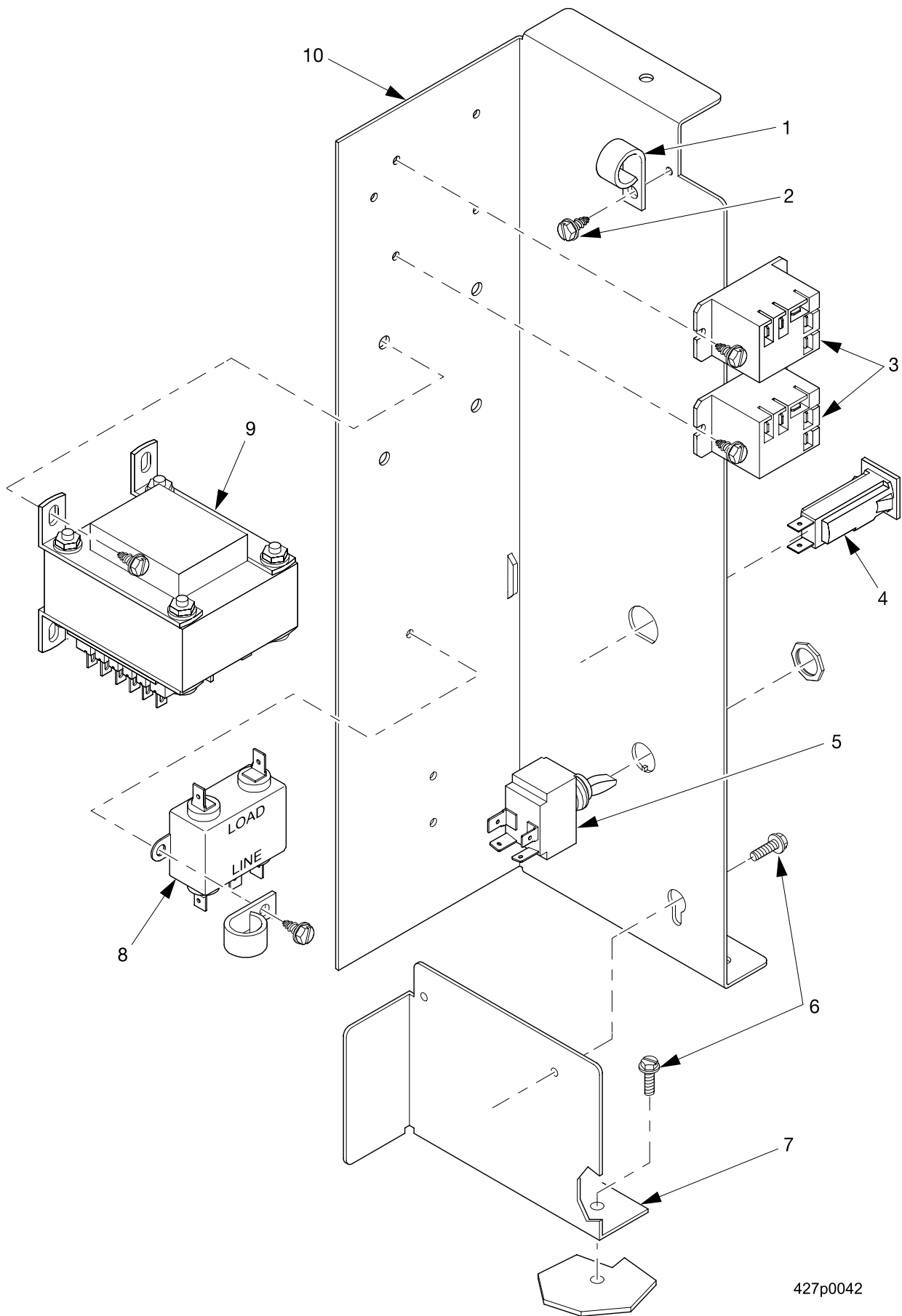


436p0038

Figure 14. Return Air Light Assembly

TABLE 14. RETURN AIR LIGHT ASSEMBLY

INDEX	PART NUMBER	DESCRIPTION	QTY.
1	4361028	PANEL - AIR - RETURN - BLK	1
2	1451097	SCREW - #8-32 X .31 HEX HD.TF - BLK.	-
3	4361026	SHIELD - LIGHT - BLK	1
4	3157060	SCREW - #8-32 X .31 HEX W/ HD. SLOTTED - T/F - ZINC PL	3
5	4361029	BRACKET - LIGHT - BLK	3
6	1217159	4-40 KEPS W/EXT L/WAS H ZP	-
7	4271086	SAFETY LAMP SLEEVE W/END CAPS	2
8	4302277	FLUORESCENT SOCKET - LOWER	1
9	5262139	01440106 # 4-40X3/8 PPHD M SCR ZP	-
10	4031148	LAMP FLUORESCENT 13W #F13T5CW	2

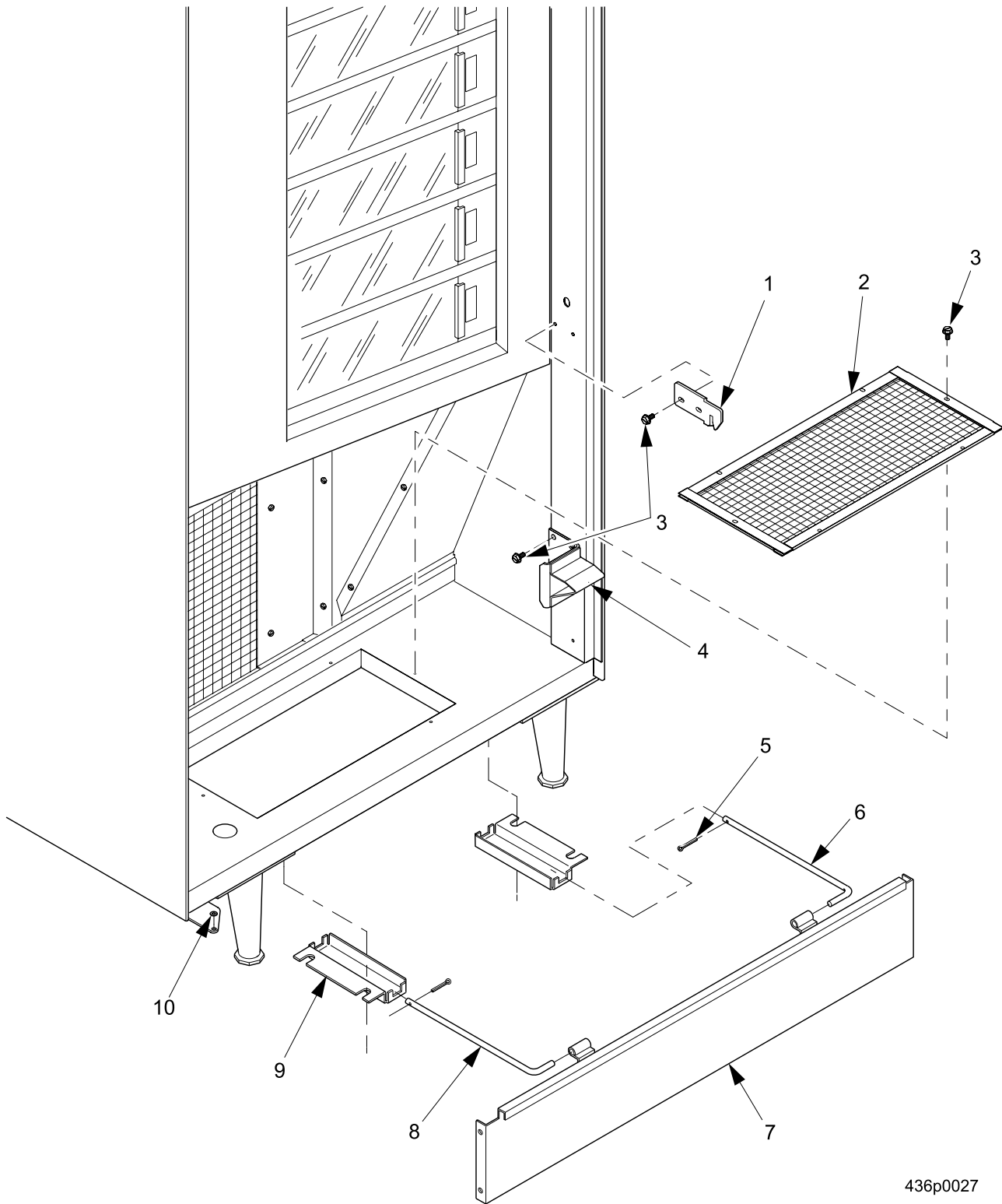


427p0042

Figure 15. Power Panel Assembly

TABLE 15. POWER PANEL ASSEMBLY

INDEX	PART NUMBER	DESCRIPTION	QTY.
-	4291107	POWER PANEL ASSY - FOODKING - UK (230 V)	1
	4291089	POWER PANEL ASSY - FOODKING - DOM (115 V)	
1	4732024	RETAINER - HARNESS	3
2	3157060	SCREW - #8 - 32 X .31 HEX W/HD.	7
3	9989677	RELAY - SPDT 24 VDC - PANEL MOUNT	2
4	9989674	CIRCUIT BREAKER - 4 AMP	1
5	9984629	SWITCH - TOGGLE - DPST - 20 AMP	1
6	1451056	8 - 32X.31 HWS TY23 ZB WAX	-
7	4271129	BRACKET - ELECTRICAL PANEL	1
8	9989100	INTERFERENCE FILTER	1
9	9989046	24V TRANSFORMER - DUAL PIR. - .187 TERM.	1
10	4271128	PANEL - ELECTRICAL	1

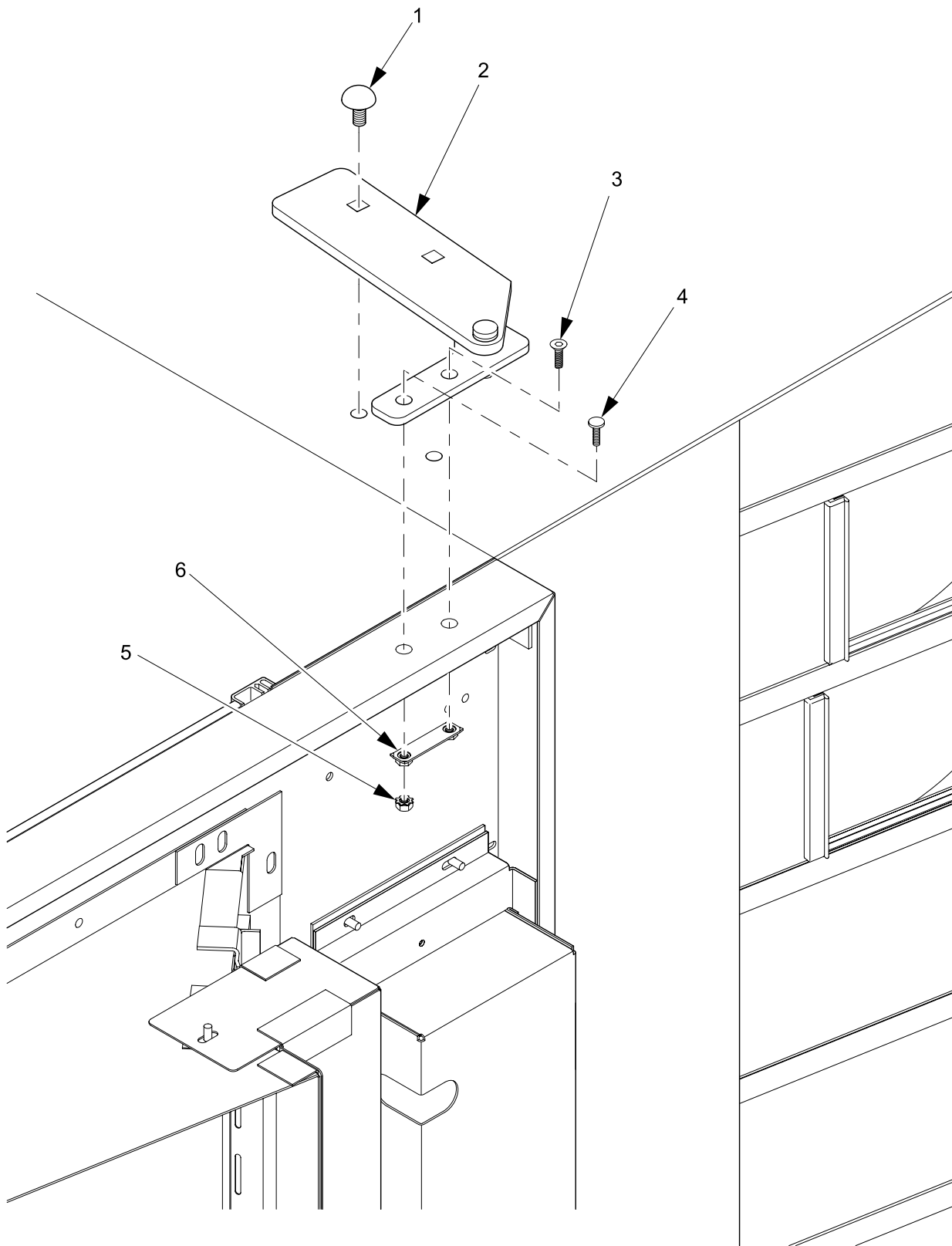


436p0027

Figure 16. Base Plate Accessory and Miscellaneous Cabinet Parts

TABLE 16. BASE PLATE ACCESSORY AND MISCELLANEOUS CABINET PARTS

INDEX	PART NUMBER	DESCRIPTION	QTY.
-	4271105	BASE PLATE AND ACCESSORY ASSEMBLY (INCLUDES INDEX NUMBERS 5 THROUGH 9)	OPT.
1	1571074	LOCK ARM - CABINET	1
2	4271066	SCREEN ASSEMBLY	1
3	1451097	SCREW - #8 - 32X.31 HEX HD.TF - BLK.	-
4	4271077	SUPPORT ASSEMBLY - DOOR CHECK	1
5	9900098	COTTER PIN - 3/32 X 3/4 IN	2
6	1411194	SLIDE - BASE PLATE - RIGHT HAND	1
7	4271103	BASE PLATE ASSEMBLY	1
8	1411195	SLIDE - BASE PLATE - LEFT HAND	1
9	6231087	BRACKET - BASE PLATE	2
10	4242145	BEARING - THRUST - LOWER HINGE	1



436p0040

Figure 17. Upper Hinge Assembly

TABLE 17. UPPER HINGE ASSEMBLY

INDEX	PART NUMBER	DESCRIPTION	QTY.
1	1171021	5/16 - 18X3/4 CARR BOLT ZP	-
2	4271037	HINGE ASSEMBLY - UPPER	1
3	6232036	SCREW - 5/16-18X.75 FLT.HDSOCKET	1
4	6232208	WELD SCREW - #1/4-20 X 1"LG	1
5	1211105	1/4-20 KEPS NUT EXT LW ZP	-
6	6232028	PLATE ASSY - HINGE MTG	1

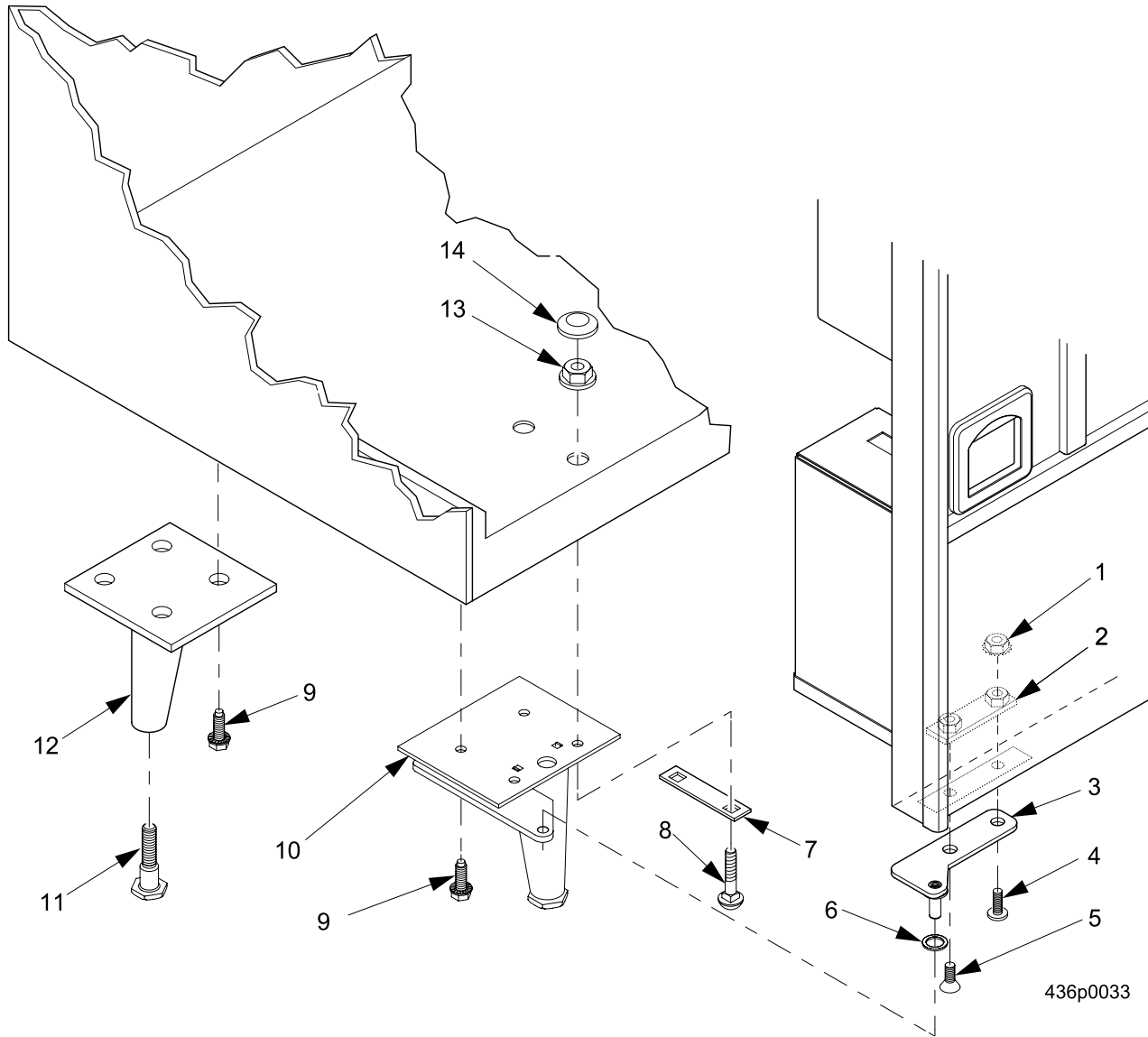
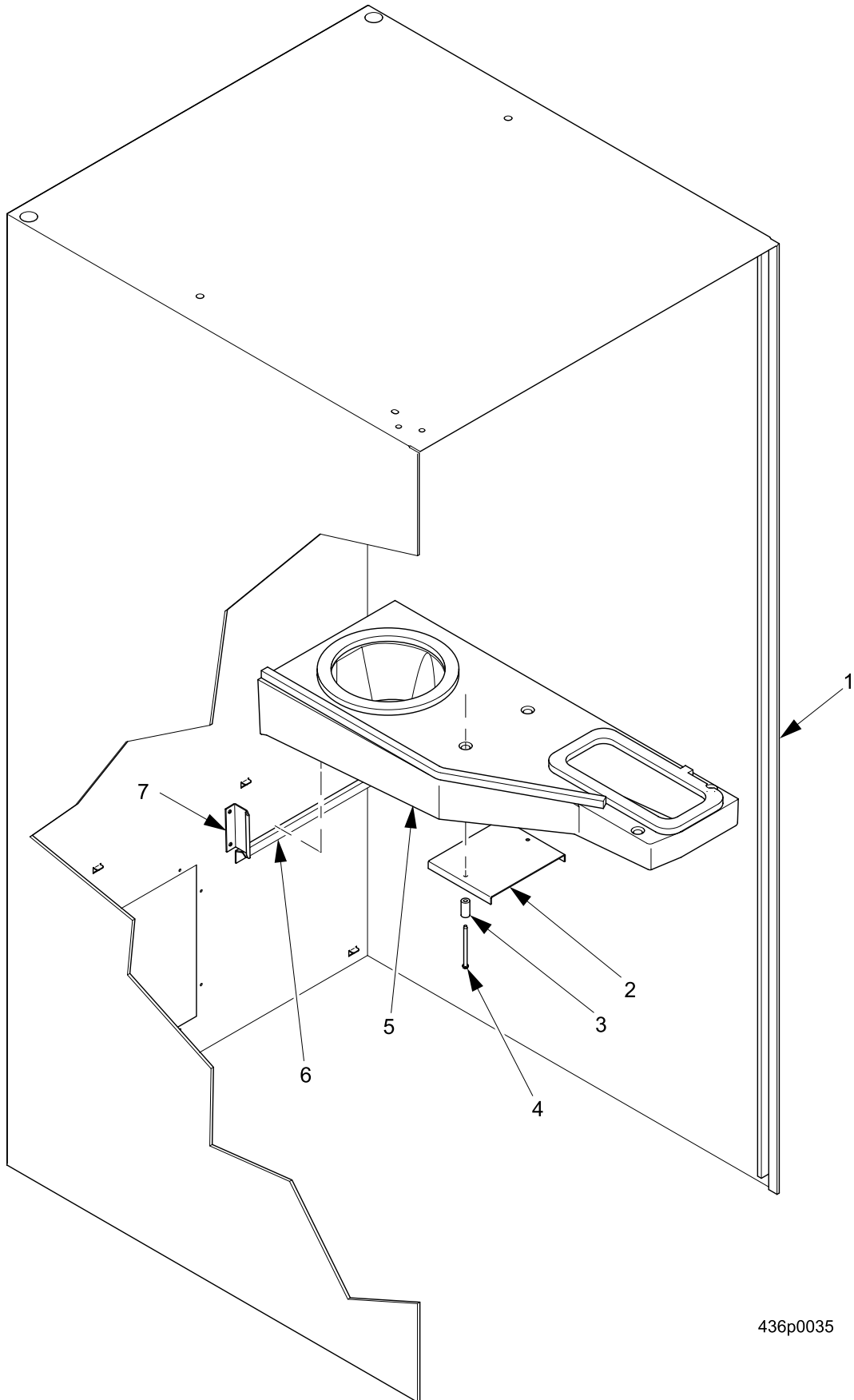


Figure 18. Leg Assemblies

TABLE 18. LEG ASSEMBLIES

INDEX	PART NUMBER	DESCRIPTION	QTY.
1	9900081	NUT #8-32 KEPS ZINC PLATE	1
2	6232028	PLATE ASSY-HINGE MTG	1
3	6232031	HINGE ASSY-DOOR-LOWER	1
4	6232208	WELD SCREW-#1/4-20 X 1"LG	1
5	6232036	SCREW-5/16-18X.75 FLT.HDSOCKET	1
6	4242145	BEARING-THRUST-LOWER HINGE	1
7	6231203	PLATE - HINGE LEG BOLT	1
8	1211112	TRAY BOLT	2
9	9900218	SCREW - #5/16 X 1 W/LOCKING RING	-
10	6231163	LEG,HINGE & LEVELER ASSY	1
11	1471098	LEVELER - CABINET	4
12	1471237	LEG & LEVELER ASSY - CABINET	3
13	1172021	NUT - 1/4-20 WHIZ - LOCK	-
14	1452016	HOLE PLUG #BPF-S/B (B659)	2



436p0035

Figure 19. Duct Support Assemblies

TABLE 19. DUCT SUPPORT ASSEMBLIES

INDEX	PART NUMBER	DESCRIPTION	QTY.
1	4361032	FOAMED CAB ASSY - BLK/NV BLK	1
2	4361018	SUPPORT - DUCT - CENTER	1
3	4274009	SPACER - NYLON - 1.0L X .5 OD	8
4	4361039	SCREW - #10 - 32 X 2.5 HX WASHER	4
5	4361017	DUCT & SEAL ASSY - SUPPLY/RETURN	1
6	4361019	SUPPORT - DUCT - REAR - HORIZ	1
7	4361020	SUPPORT - DUCT - REAR - VERTICAL	1

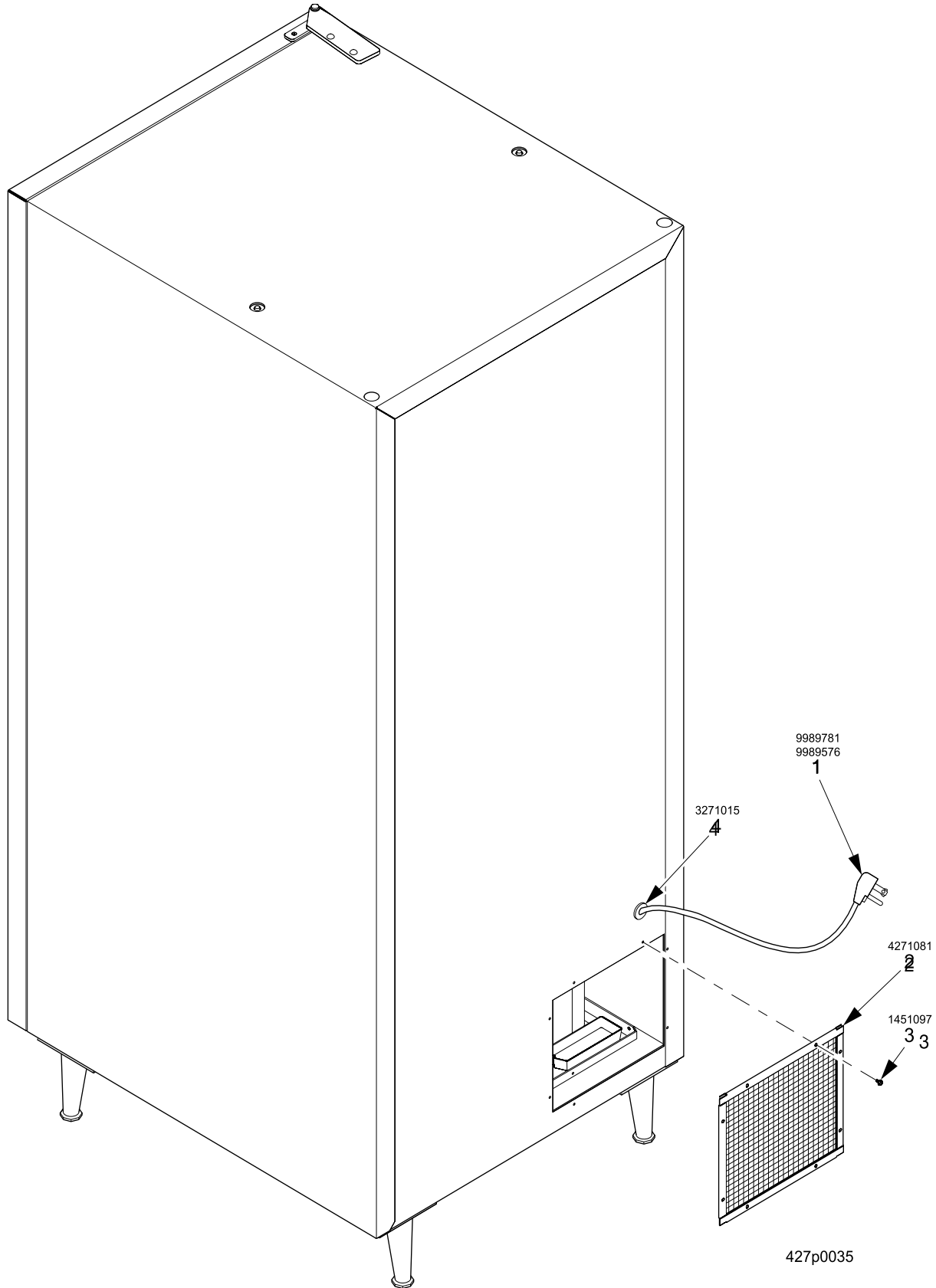
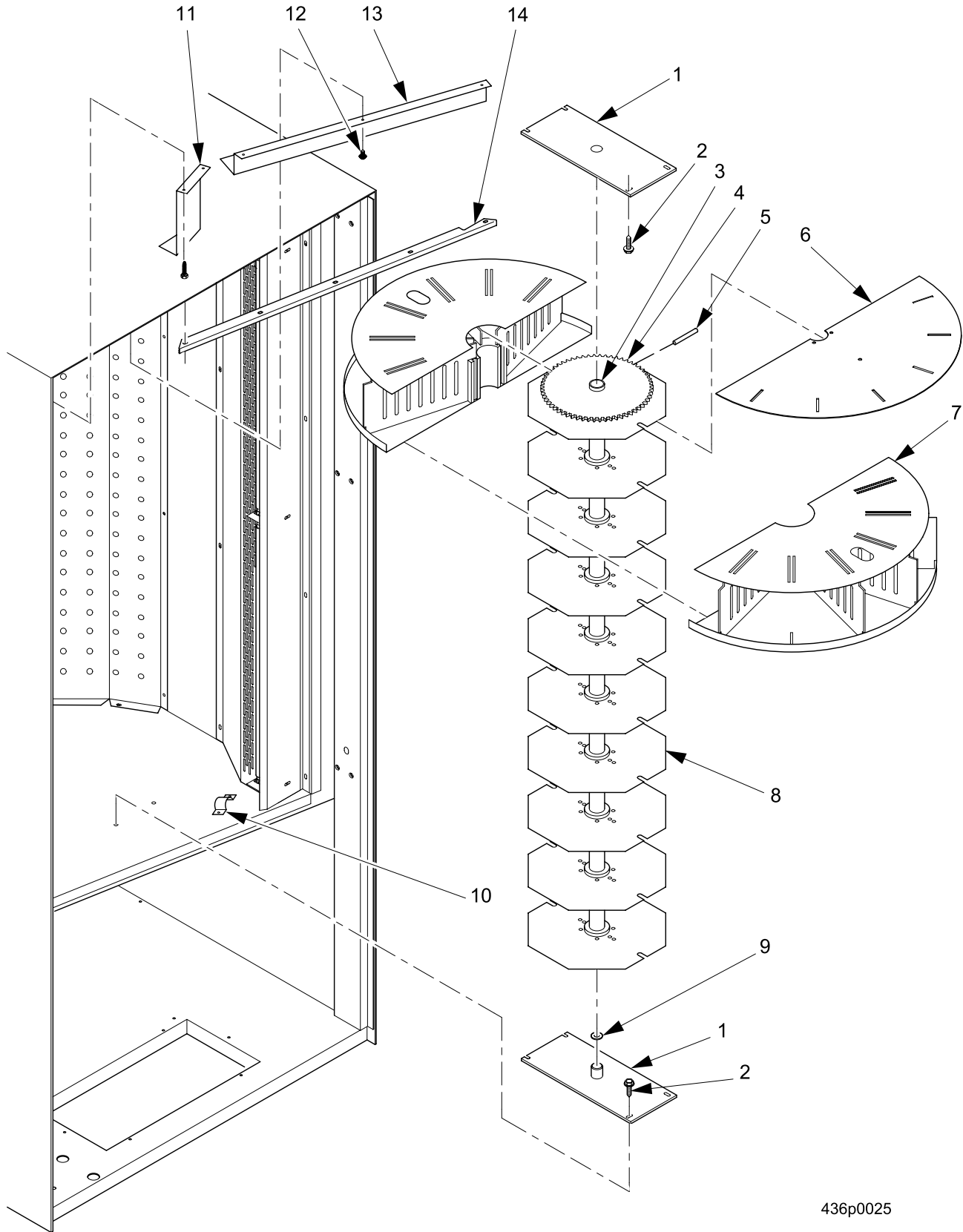


Figure 20. Cabinet Components - Rear

TABLE 20. CABINET COMPONENTS - REAR

INDEX	PART NUMBER	DESCRIPTION	QTY
1	9989781	POWER CORD - 14 AWG - DOMESTIC (U.S.)	1
	9989576	POWER CORD - WITH BSI PLUG (U.K.)	
2	4271081	SCREEN ASSEMBLY - REAR	1
3	1451097	SCREW - #8 - 32X.31 HEX HD.TF - BLK.	-
4	3104056	BUSHING - STRAIN RELIEF #5R - 7W - 2	1

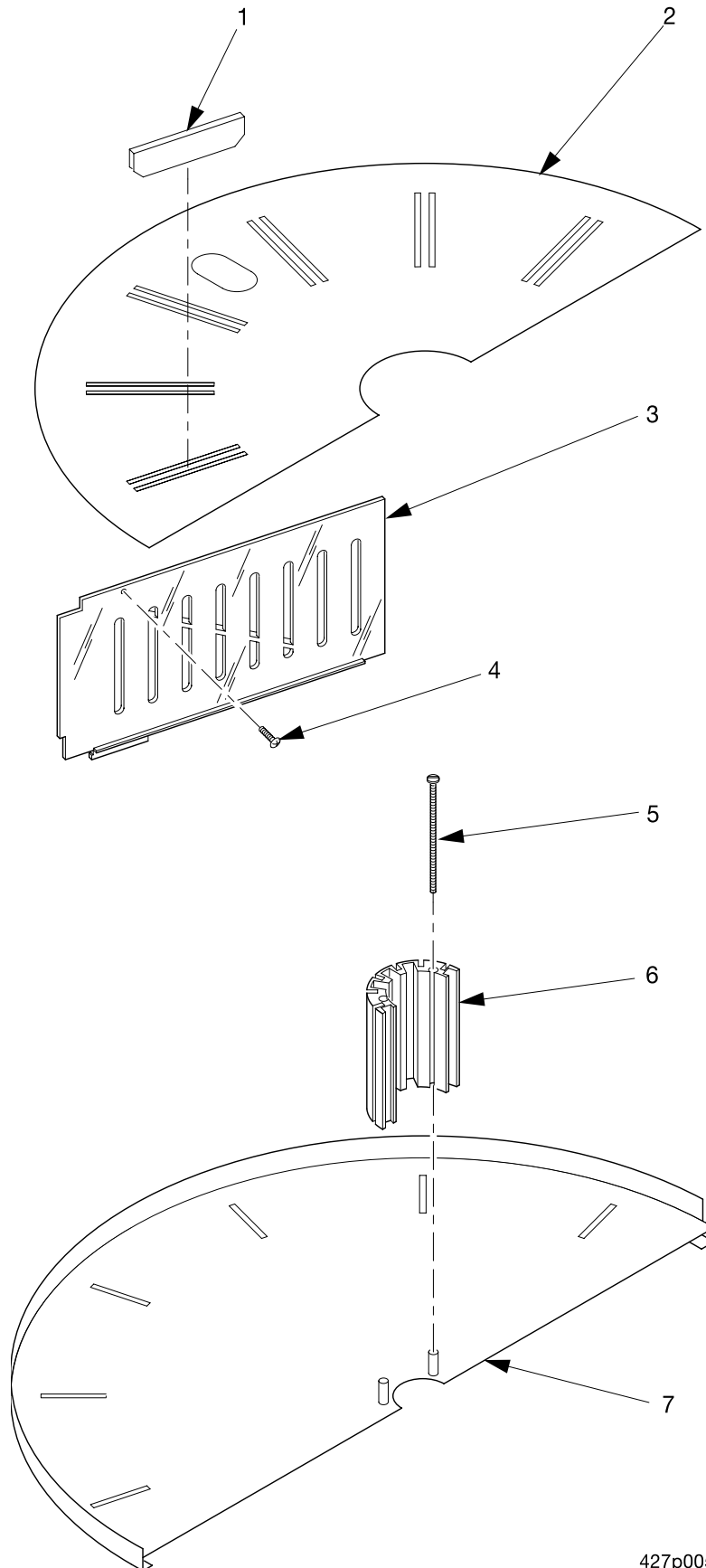


436p0025

Figure 21. Turret Assembly

TABLE 21. TURRET ASSEMBLY

INDEX	PART NUMBER	DESCRIPTION	QTY.
1	4277055	BASEPLATE WELD ASSY - BLACK	2
2	4727144	SCREW - #8 - 18X.62 HEX HEAD	-
3	4277011	BEARING - FLANGE - .625,SF - 2428 - 12	2
4	4277012	SPROCKET - 60 TOOTH - MODIFIED	1
5	4277031	ROLL PIN - .250 X 2.25	1
6	4277060	TRAY SEGMENT ASSY - TOP - BLACK	1
7	4297004	6 PRODUCT SHELF - BLACK (SEE FIGURE 22)	14
	4297003	12 PRODUCT SHELF - BLACK (SEE FIGURE 22)	4
8	4277004	CAROUSEL ASSEMBLY	1
	4277052	CAROUSEL ASSEMBLY-BLACK	
9	4271058	CLAMP - DOUBLE MOUNT - .43	1
10	4271130	STOP - COLD FOOD DOOR LATCH	1
11	4271163	COVER - MOTOR - BLACK	1
12	4721035	SCREW - #8 - 18 X .38 - LGM	-
13	4361025	COVER - GUARD - CHAIN - BLK	1
14	4361043	JAMB - LINER - TOP - BLK	1

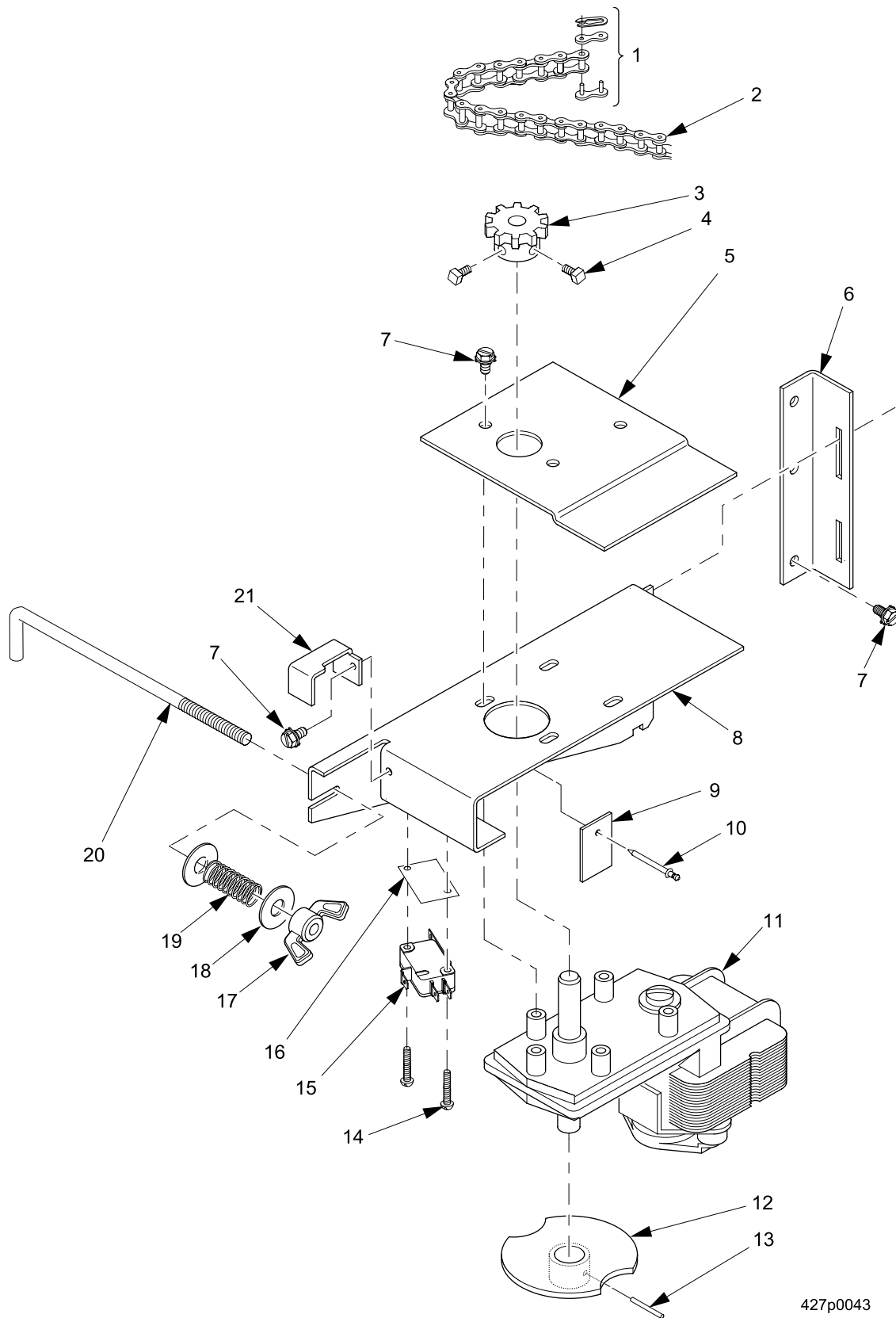


427p0057

Figure 22. Tray Half Assembly

TABLE 22. TRAY HALF ASSEMBLY

INDEX	PART NUMBER	DESCRIPTION	QTY.
1	4277030	HOLDER	12
2	4277053	PLATE HOLDER - BLACK	4
3	4277029	TRAY DIVIDER	6
4	4277042	SCREW - #8 - 10 X.5 T/F - PHS	-
5	4277024	SCREW - #6 - 32 X 3 PHILLIPS P/H	4
6	4277049	SUPPORT - DIVIDER - TRAY	4
7	4297001	TRAY SEGMENT ASSY - BLACK	4

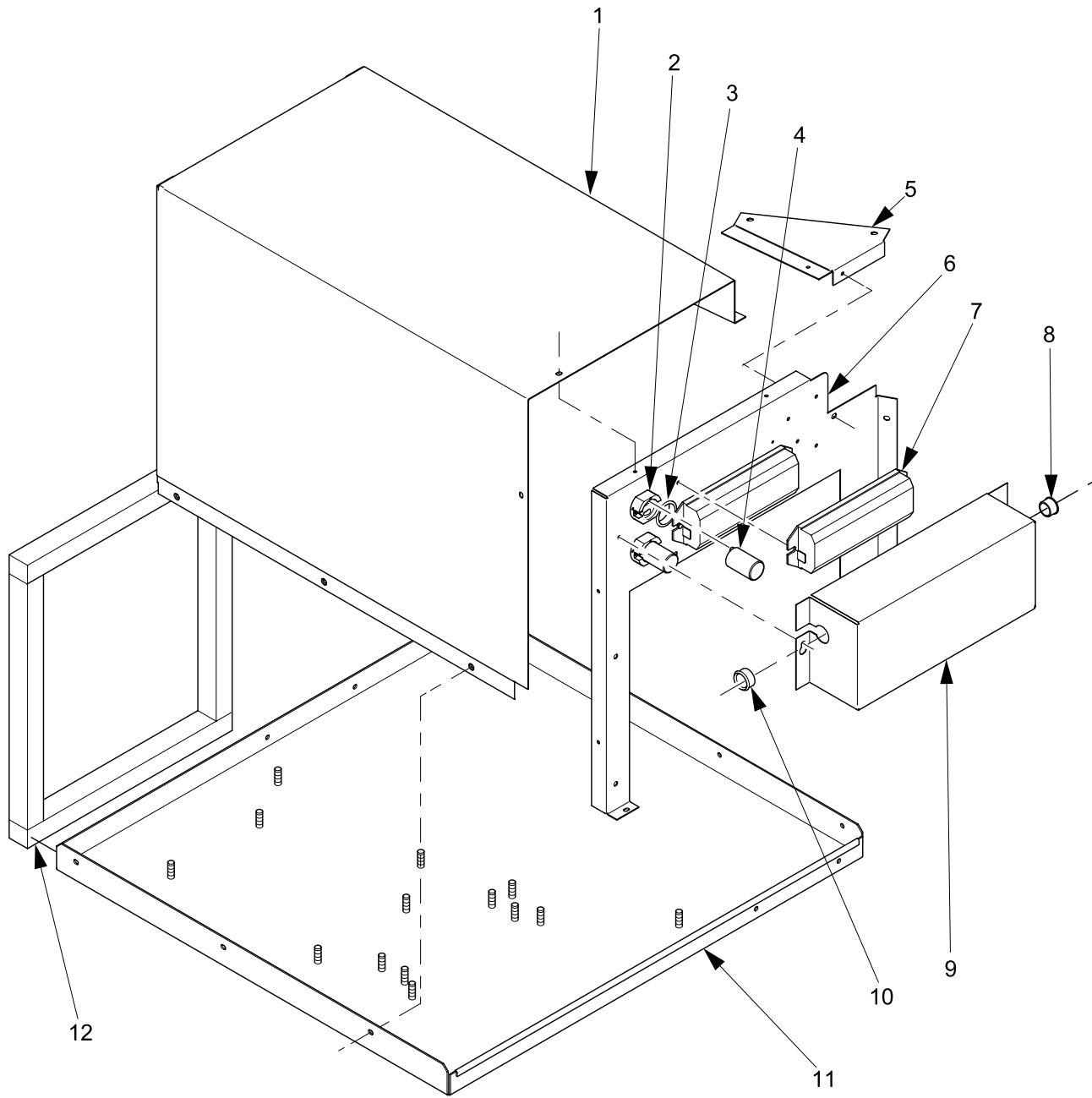


427p0043

Figure 23. Turret Motor Assembly

TABLE 23. TURRET MOTOR ASSEMBLY

INDEX	PART NUMBER	DESCRIPTION	QTY.
-	4271088X	TURRET MOTOR ASSEMBLY - 115V	1
	4271108X	TURRET MOTOR ASSEMBLY - 230V	
1	4277013	CHAIN REPAIR LINK - 3/8	1
2	4277038	CHAIN - DRIVE	1
3	4271002	SPROCKET - 10 TOOTH - STEEL	1
4	4277008	SET SCREW - 1/4 - 20 X 3/8 CUP	-
5	4271166	SUPPORT - MOTOR	1
6	4271154	BRACKET - SUPPORT - MOTOR MOUNTING - TURRET	1
7	1451097	SCREW - #8 - 32X.31 HEX HD.TF - BLK.	-
8	4271173	BRACKET - MOTOR MOUNT - TURRET	1
9	4271055	SPACER - MOTOR/BRKT - TURRET	1
10	3502078	RIVET - POP - .125 DIA X .265	-
11	4277050	DRIVE MOTOR ASSEMBLY - TURRET - 115V (PART OF 4271088X)	1
	4277051	DRIVE MOTOR ASSEMBLY - TURRET - 230V (PART OF 4271108X)	
12	4271001	CAM ASSEMBLY - MOTOR COLUMN	1
13	6104219	ROLL PIN - .094 X 5/8	1
14	5262141	SCREW - 4 - 40 X 9/16 PHP	2
15	4271004	MICROSWITCH VL3	1
16	6112042	INSULATOR SWITCH	
17	4271080	NUT - WING - #8 - 32 WITH NYLON INSERT	1
18	5202012	SPACER - EXTENSION BAR	2
19	4042094	SPRING - OVERRIDE	1
20	4271065	BOLT - ANCHOR - #8 - 32 X 2.25	1
21	4361051	BRACKET - INDICATOR - NV BLACK	1



436p0005

Figure 24. Refrigeration - Part 1

TABLE 24. REFRIGERATION - PART 1

INDEX	PART NUMBER	DESCRIPTION	QTY
-	4364005	REFRIG. UNIT - 115/60	1
	4364006	REFRIG. UNIT - 230/50	
1	4364046	WRAPPER - COMPRESSOR	-
2	4319008	STARTER SOCKET ASSEMBLY	2
3	4271057	BUSHING - 1.0" - OPEN/CLOSED	2
4	4031150	STARTER FS - 4,FLUORESCENT LAMP	2
5	4364045	BAFFLE - CONDENSER	-
6	4364049	WALL - DIVIDER - CONDENSER	-
7	4279015	BALLAST ASSY - 13W - 115V	2
	6396028	BALLAST ASSY - 13 WATT - 230V	
8	9984095	BUSHING - OPEN/CLOSED - .625	1
9	4271143	COVER - BALLAST	1
10	4273046	BUSHING - 3/4" SPLIT	-
11	4364026	CHASSIS & STUD ASSY. - REFR.	1
12	4614027	IN SEAL - 1.00 X .87	-

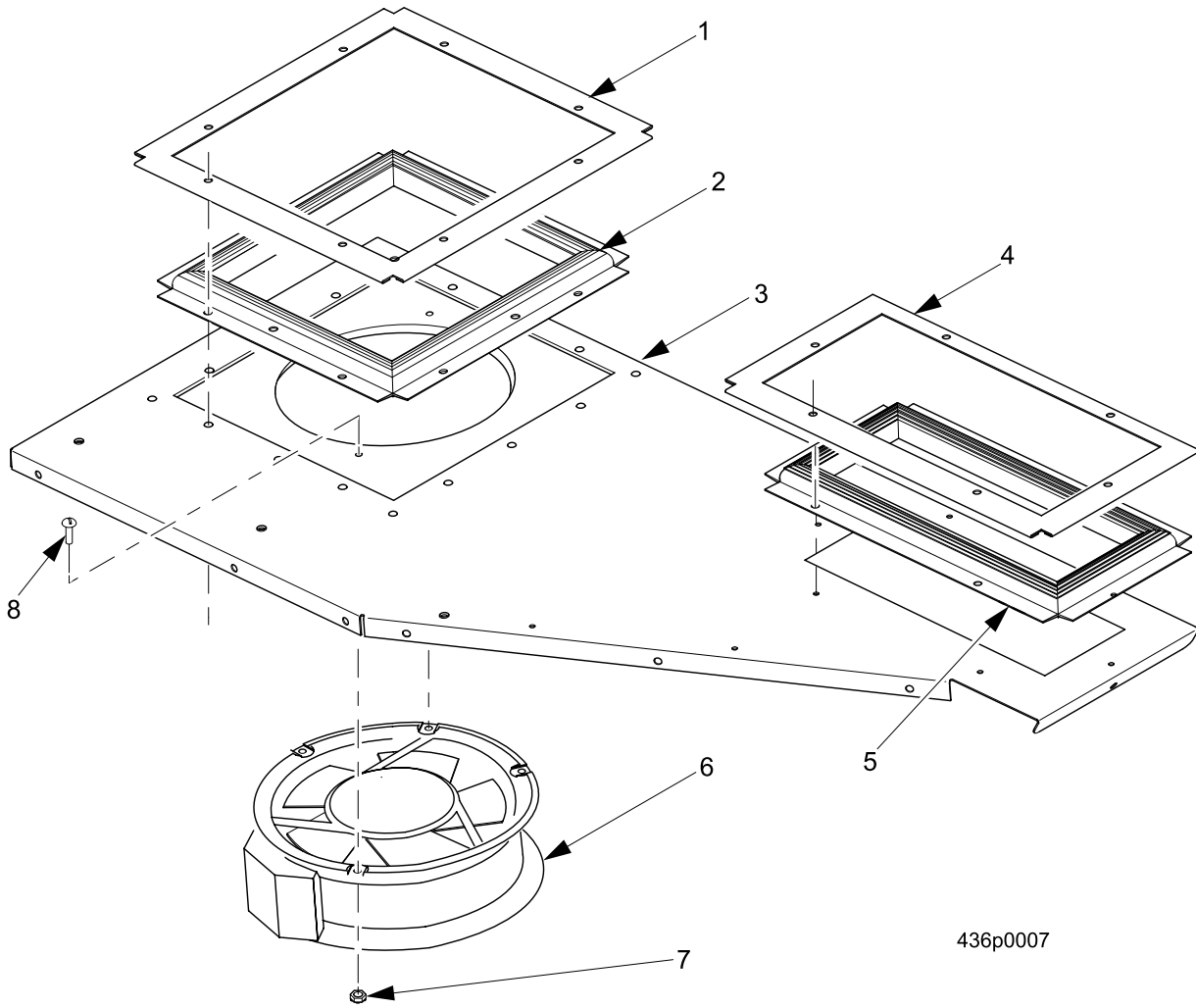


Figure 25. Refrigeration - Part 2

TABLE 25. REFRIGERATION - PART 2

INDEX	PART NUMBER	DESCRIPTION	QTY
1	4364048	RETAINER - GASKET - SUPPLY	1
2	4364011	GASKET-EVAPORATOR-SUPPLY	--
3	4364056	WRAPPER - EVAPORATOR - TOP	
4	4364047	RETAINER - GASKET - RETURN	1
5	4364010	GASKET-EVAPORATOR-RETURN	--
6	4364019	FAN - EVAPORATOR - AXIAL - 230/50 HZ	1
	4314014	FAN - EVAPORATOR - AXIAL (115 V)	
7	4402043	NUT-#8-32 W/L.W.-S.S.	-
8	9900115	SCREW #8-32 X 3/4 RHS	-

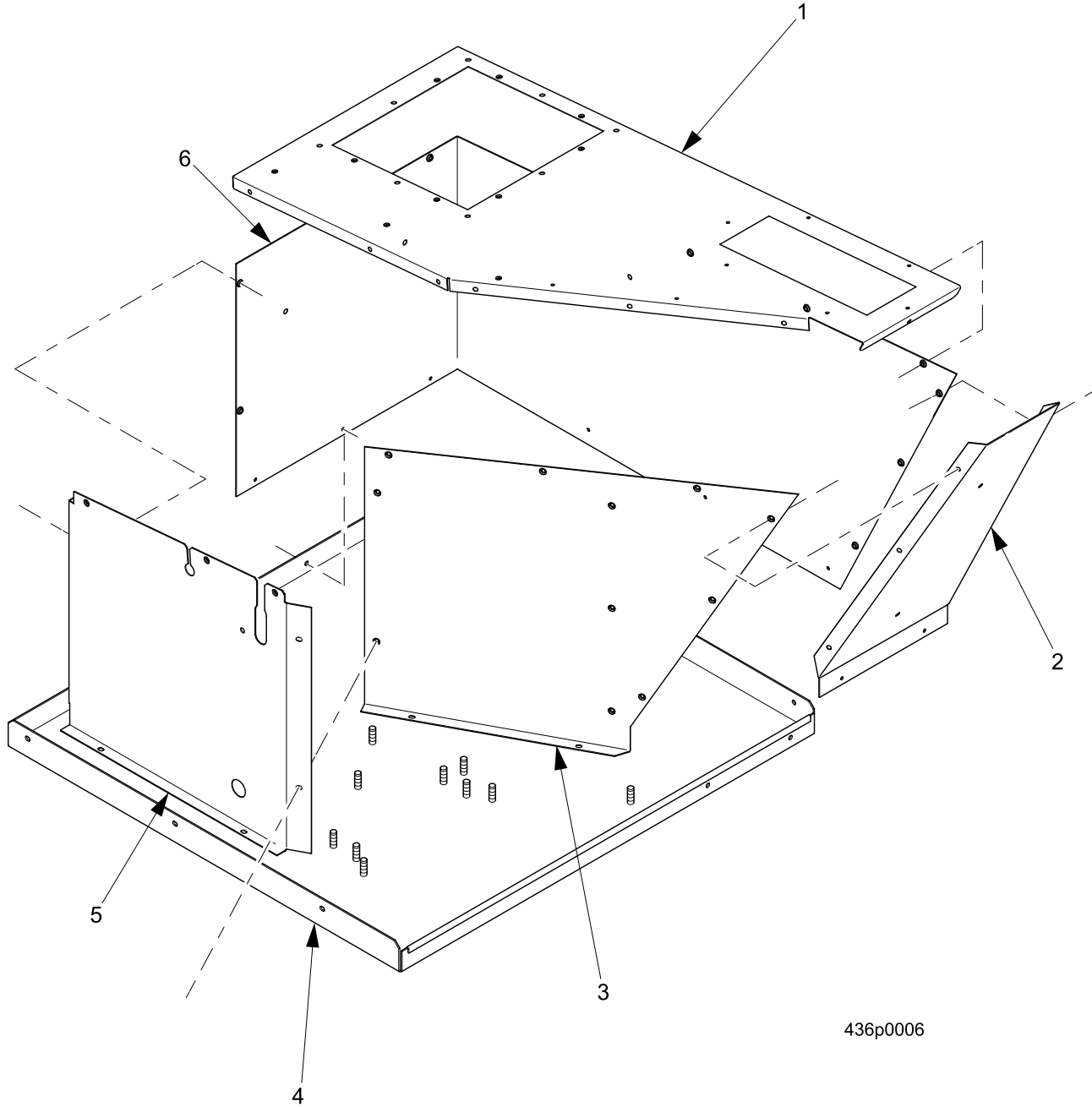


Figure 26. Refrigeration - Part 3

TABLE 26. REFRIGERATION - PART 3

INDEX	PART NUMBER	DESCRIPTION	QTY
1	4364056	WRAPPER - EVAPORATOR - TOP	1
2	4364024	WRAPPER - EVAPORATOR - FRONT	1
3	4364029	WRAPPER - EVAP. - CENTER - FRONT	1
4	4364026	CHASSIS & STUD ASSY. - REFR.	1
5	4364030	WRAPPER - EVAP. - CENTER - REAR	1
6	4364025	WRAPPER - EVAPORATOR - OUTER	1

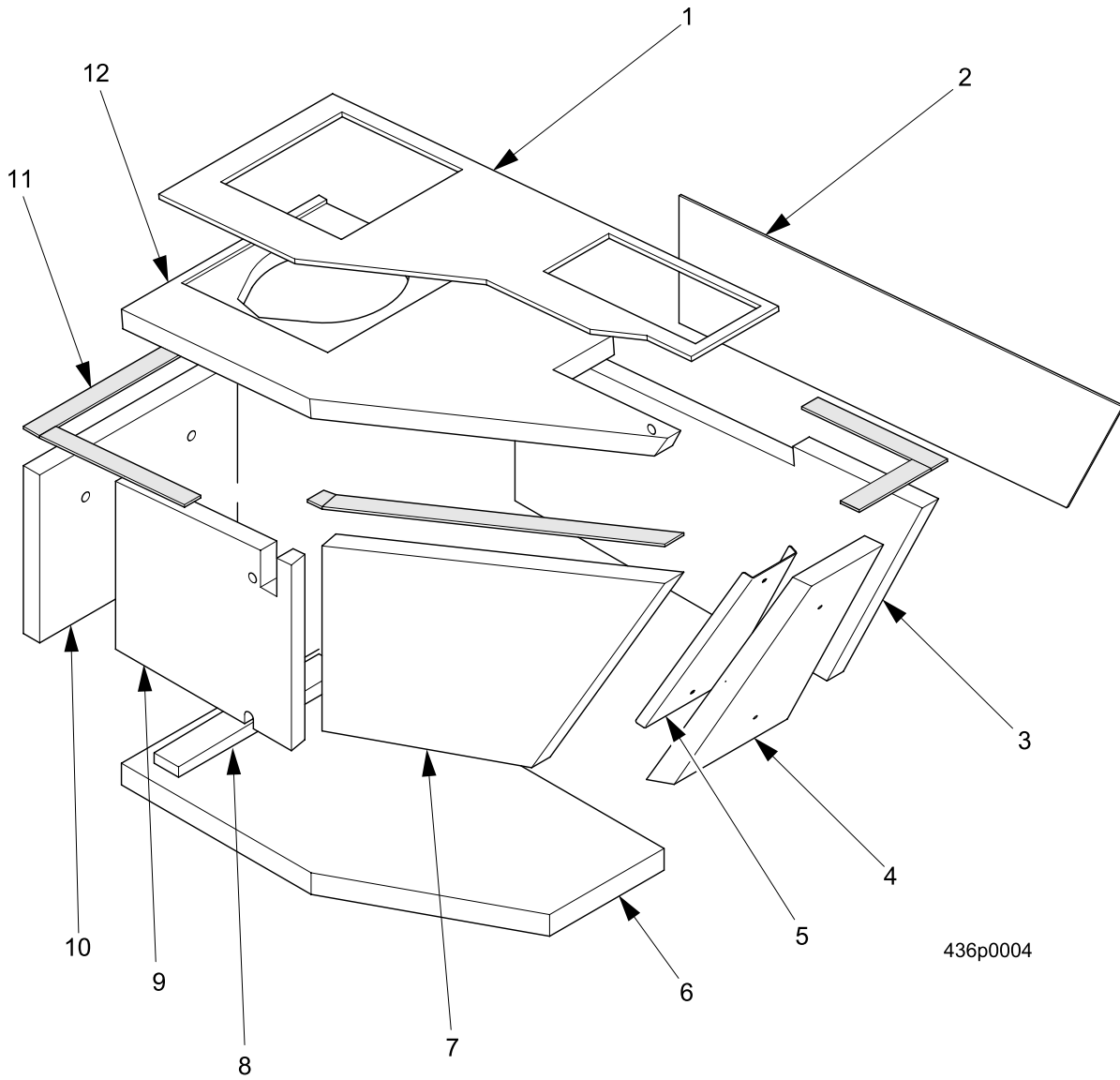
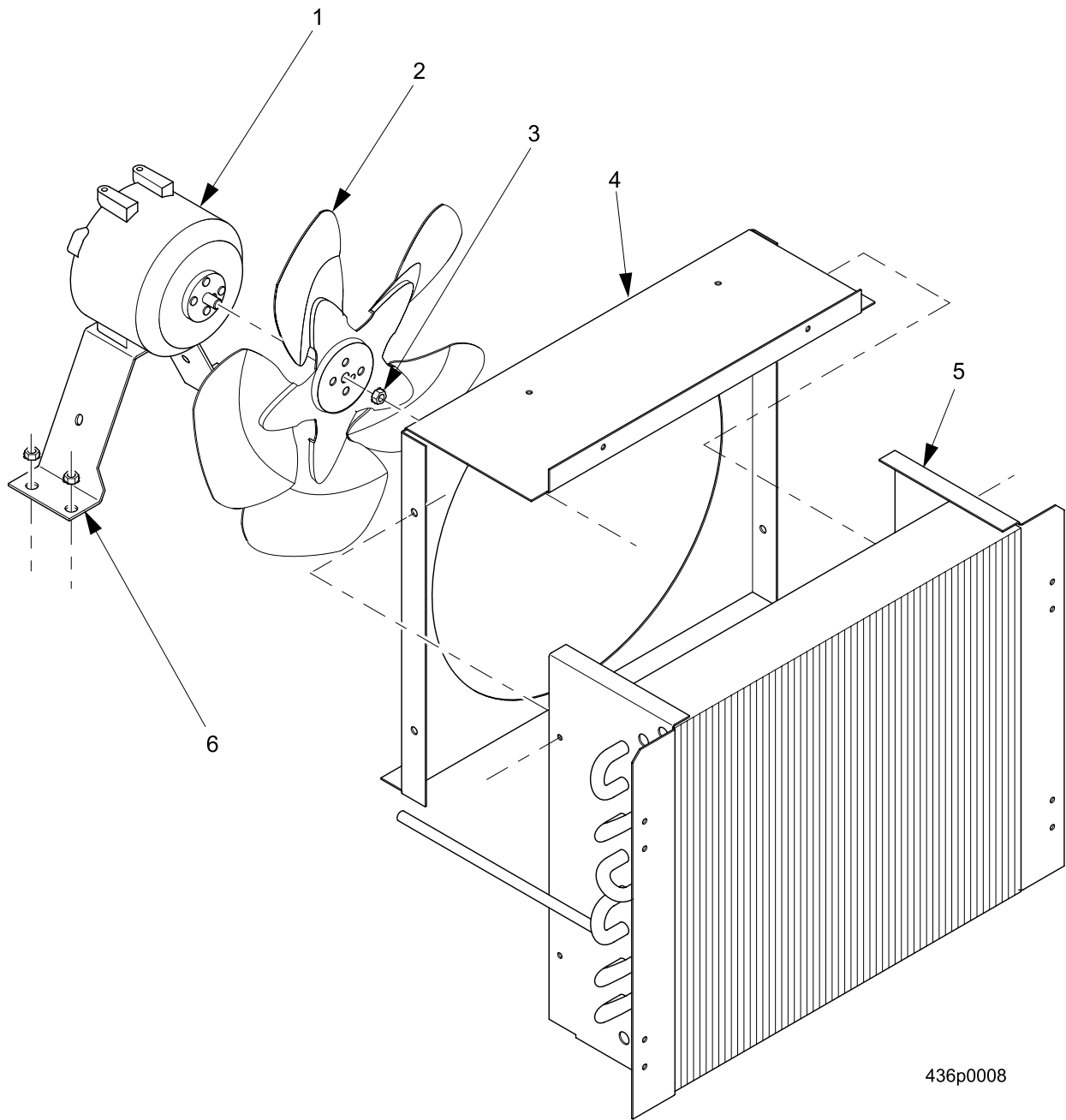


Figure 27. Insulation

TABLE 27. INSULATION

INDEX	PART NUMBER	DESCRIPTION	QTY
1	4364051	INSULATION - .25 - COVER - OUTER	-
2	4364069	INSULATION - .12 - SIDE - OUTER	-
3	4364013	INSULATION - 1.00 - RIGHT	-
4	4364018	INSULATION - 1.00 - FRONT	-
5	4364028	RETAINER - INSULATION - FRONT	1
6	4364012	INSULATION - 1.15 - BOTTOM	
7	4364016	INSULATION - 1.00 - CENTER - FRONT	-
8	4314105	SHIM - FRONT	-
9	4364017	INSULATION - 1.00 - CENTER - REAR	1
10	4364015	INSULATION - 1.00 - REAR	-
11	4551173	TAPE-FOAM-1.00W X .38TH	68.5"
12	4364057	INSULATION - 1.00 - TOP	-

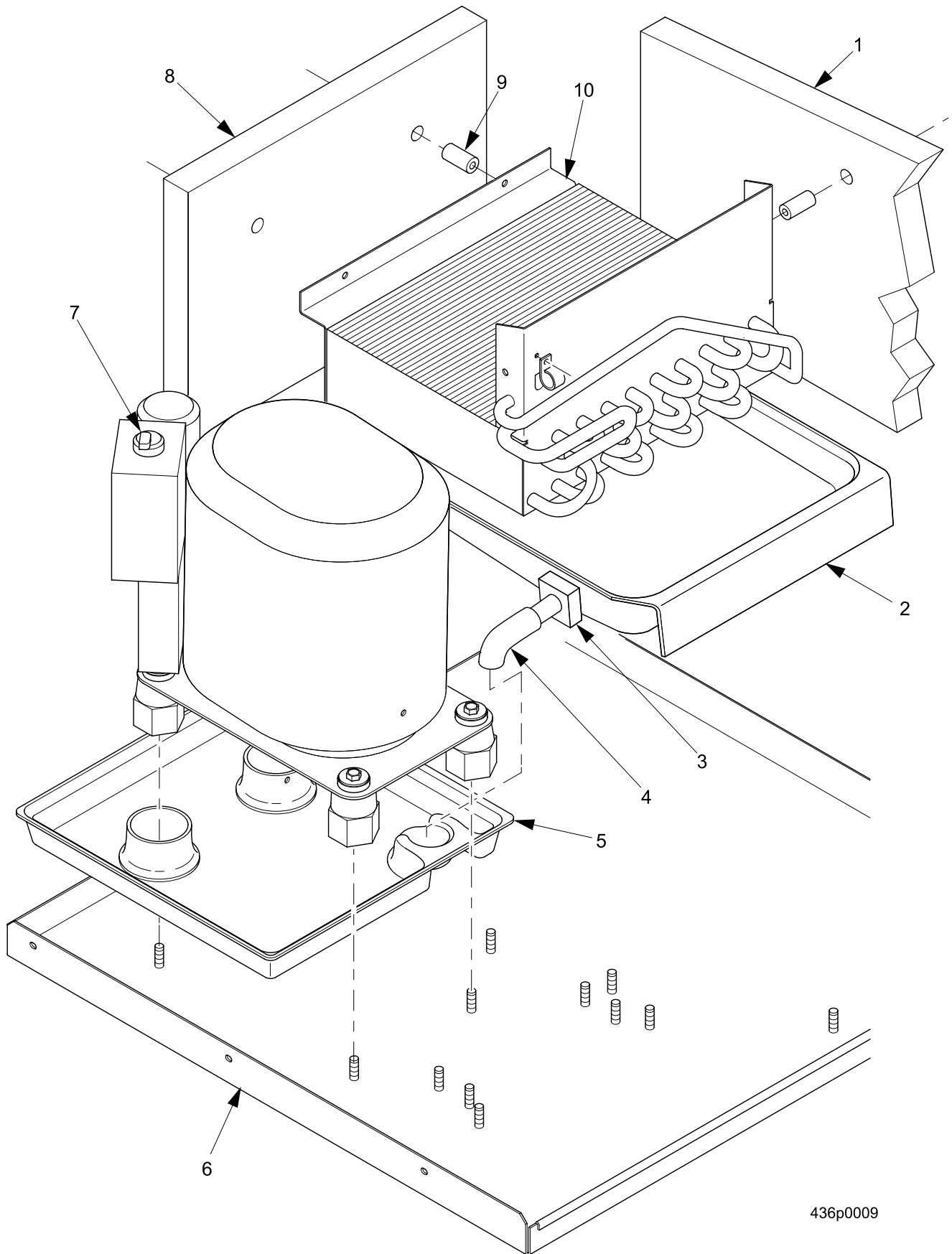


436p0008

Figure 28. Refrigeration - Part 4

TABLE 28. REFRIGERATION - PART 4

INDEX	PART NUMBER	DESCRIPTION	QTY
1	4304231	MOTOR - CONDENSER - 16 WATT (115 V)	1
	4364066	MOTOR - FAN - CONDENSER - 18W - 230V	
2	4364068	BLADE - FAN - CONDENSER - 9.75 DIA. (115 V)	1
	4364067	BLADE - FAN - CONDENSER - 9.75 DIA. (230 V)	
3	1211105	1/4-20 KEPS NUT EXT LW ZP	-
4	4364065	SHROUD - CONDENSER	1
5	4364001	CONDENSER - .312 DIA. - 3R - 24T - 1 X.625	1
6	4274055	BRACKET - MOTOR - FAN	1



436p0009

Figure 29. Refrigeration - Part 5

TABLE 29. REFRIGERATION - PART 5

INDEX	PART NUMBER	DESCRIPTION	QTY
1	4364013	INSULATION - 1.00 - RIGHT	1
2	4364004	PAN & TUBE ASSY. - CONDENSATE	1
3	4314114	SEAL - TUBE - DRAIN	1
4	4274082	TUBE - DRAIN - CONDENSATE	1
5	4364002	PAN - EVAPORATION	1
6	4364026	CHASSIS & STUD ASSY. - REFR.	1
7	4304151	BUSHING-STRAIN RELIEF	-
8	4364015	INSULATION - 1.00 - REAR	1
9	4274009	SPACER - NYLON - 1.0L X .5 OD	-
10	4364058	EVAPORATOR - .375 DIA. - 3R - 28T - 1	1

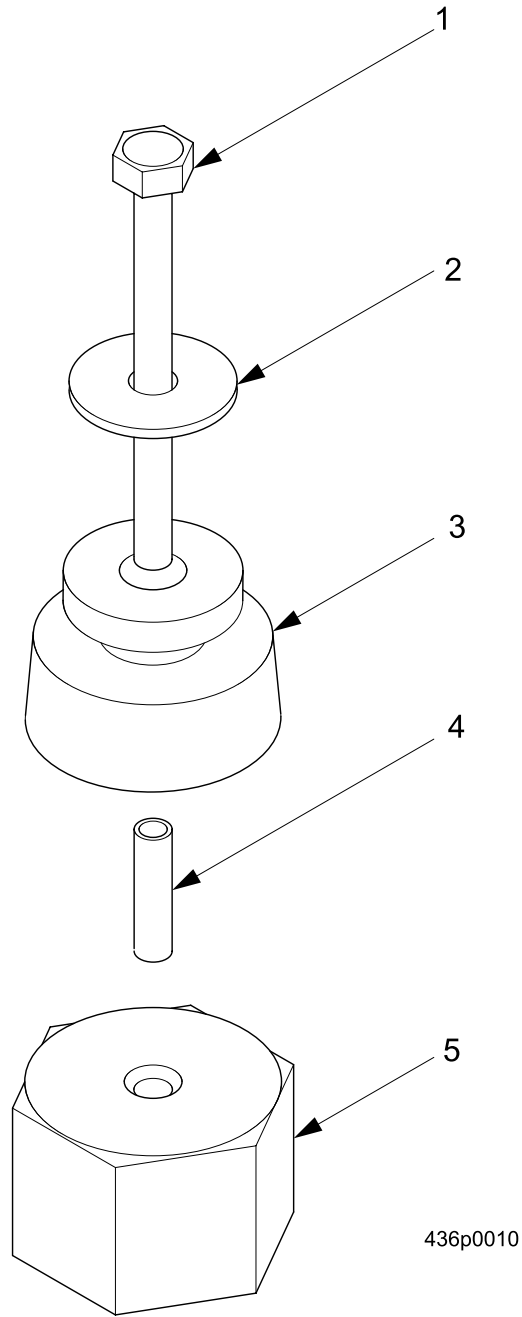
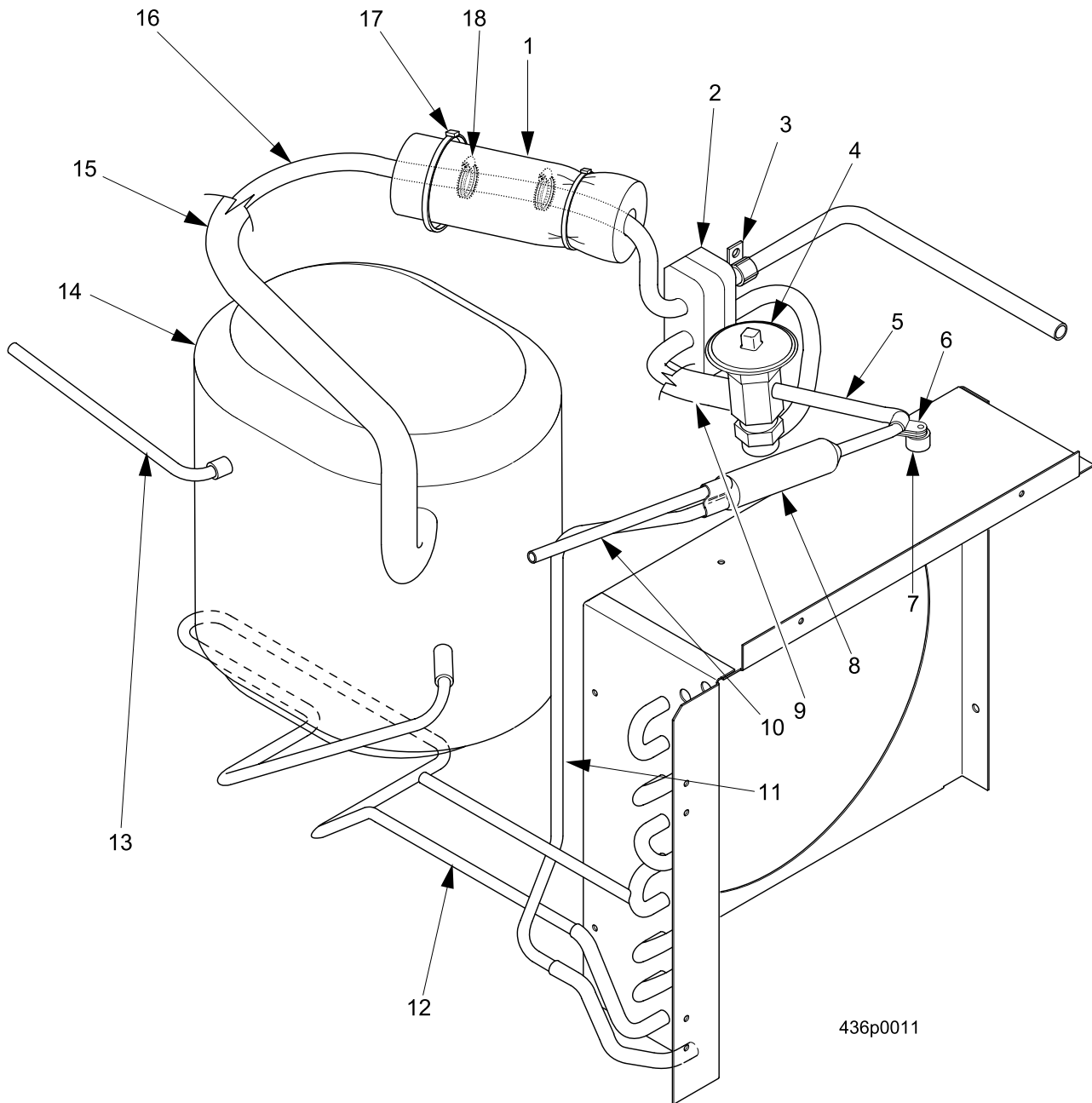


Figure 30. Refrigeration - Part 6

TABLE 30. REFRIGERATION - PART 6

INDEX	PART NUMBER	DESCRIPTION	QTY
1	4364022	SCREW - .25 - 20 X 1.5L. - HEX SER.W	4
2	4304236	WASHER - .88 O.D.X.38 I.D.X.063	4
3	4254027	GROMMET - 15/16 HEIGHT	4
4	4254028	SLEEVE - 55/64 LENGTH	4
5	4364007	SPACER - COMPRESSOR	4



436p0011

Figure 31. Refrigeration - Part 7

TABLE 31. REFRIGERATION - PART 7

INDEX	PART NUMBER	DESCRIPTION	QTY
1	3124083	INSULATION - VALVE - BULB	1
2	4364008	SEAL - TUBE - EVAPORATOR	2
3	1452139	RETAINER - HARNESS	1
4	4274176	TXV VALVE - BIJ - 1/8T	1
5	4364061	TUBE - DRIER TO TXV	1
6	1211161	CABLE CLAMP - RICHCO#N4	1
7	4302134	SPACER - P.C.BOARD	1
8	4364034	FILTER/DRIER - REFRIGERANT	1
9	3104053	TAPE-INSULATION	-
10	4364044	TUBE - PROCESS - STUB	1
11	4364060	TUBE - CONDENSER TO DRIER	
12	4364041	TUBE - COMP.TO CONDENSER	1
13	4364043	TUBE - PROCESS - EL	1
14	4274000	COMPRESSOR - AKA4460YXA 115V 60 HZ	1
	4314055	COMPRESSOR - 220V - R134A	
15	9072706	TUBING UNICELLULAR 3/8 ID X	1.7'
16	4364059	TUBE - EVAPORATOR TO COMPRESSOR	1
17	3114114	WIRE TIE RICHCO#BT-10-10-BL	2
18	3154059	CLAMP-STAINLESS STEEL	2

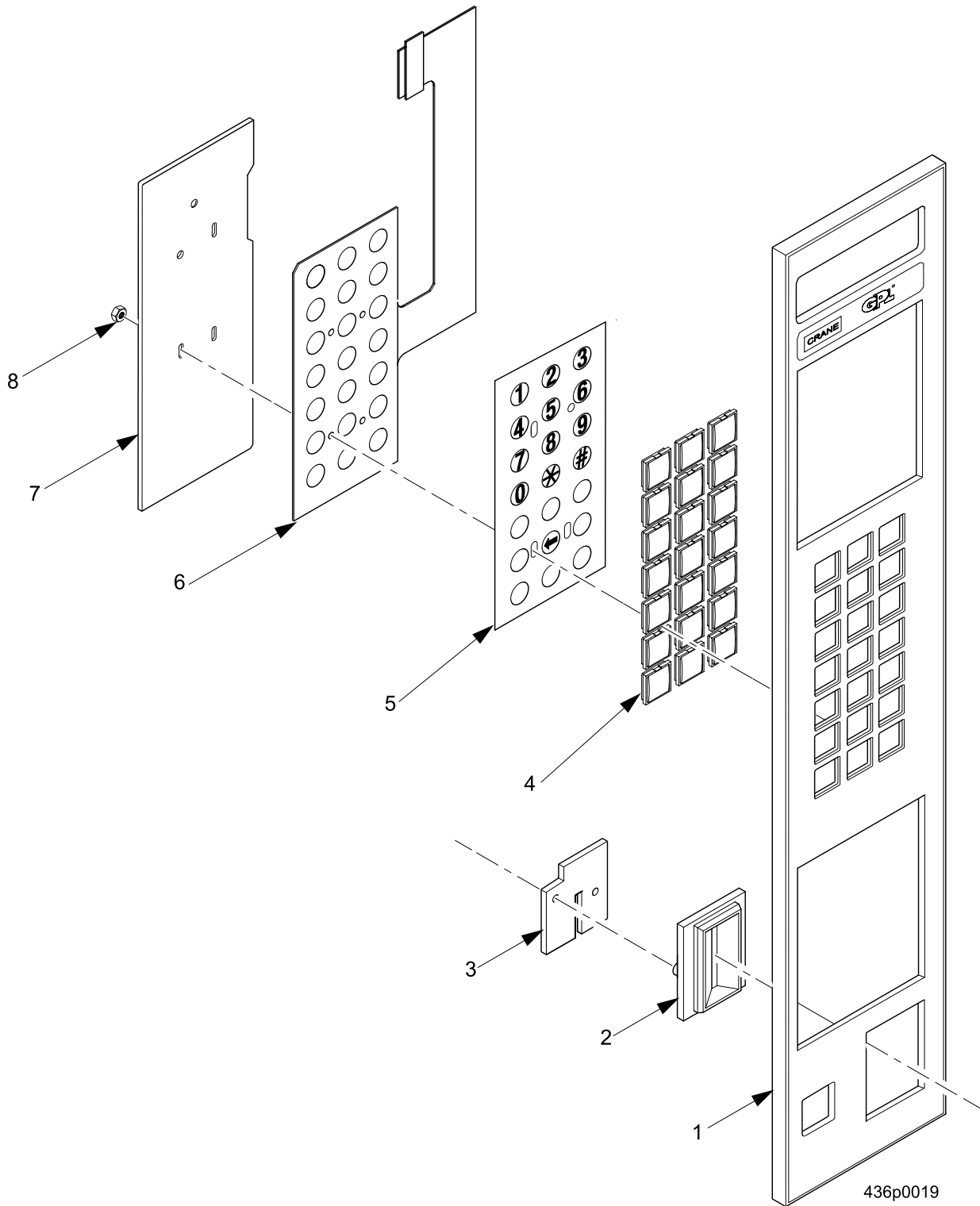


Figure 32. Monetary - Part 1

TABLE 32. MONETARY - PART 1

INDEX	PART NUMBER	DESCRIPTION	QTY.
-	4275023	FACE PLATE ASSEMBLY - GPL - (U.S.)	1
	4275025	FACEPLATE ASSEMBLY - POLYVEND	
1	1595013	FRAME - MONETARY PANEL - GPL	1
	4525002	FACEPLATE - MONETARY PANEL - POLYVEND	
2	1472223	COIN INSERT	1
3	1472222	COIN BLOCK (U.S./MEXICO ONLY)	1
4	1472251	LENS - PUSH BUTTON	21
5	4270017	LETTER SHEET - SELECT SWITCH	1
6	9984621	MEMBRANE SWITCH ASSEMBLY - SELECT	1
7	1575091	PLATE - SELECT SWITCH - BACK UP - W/STUD	1
8	1475089	1/8 NUT - SELF - THREADING	4

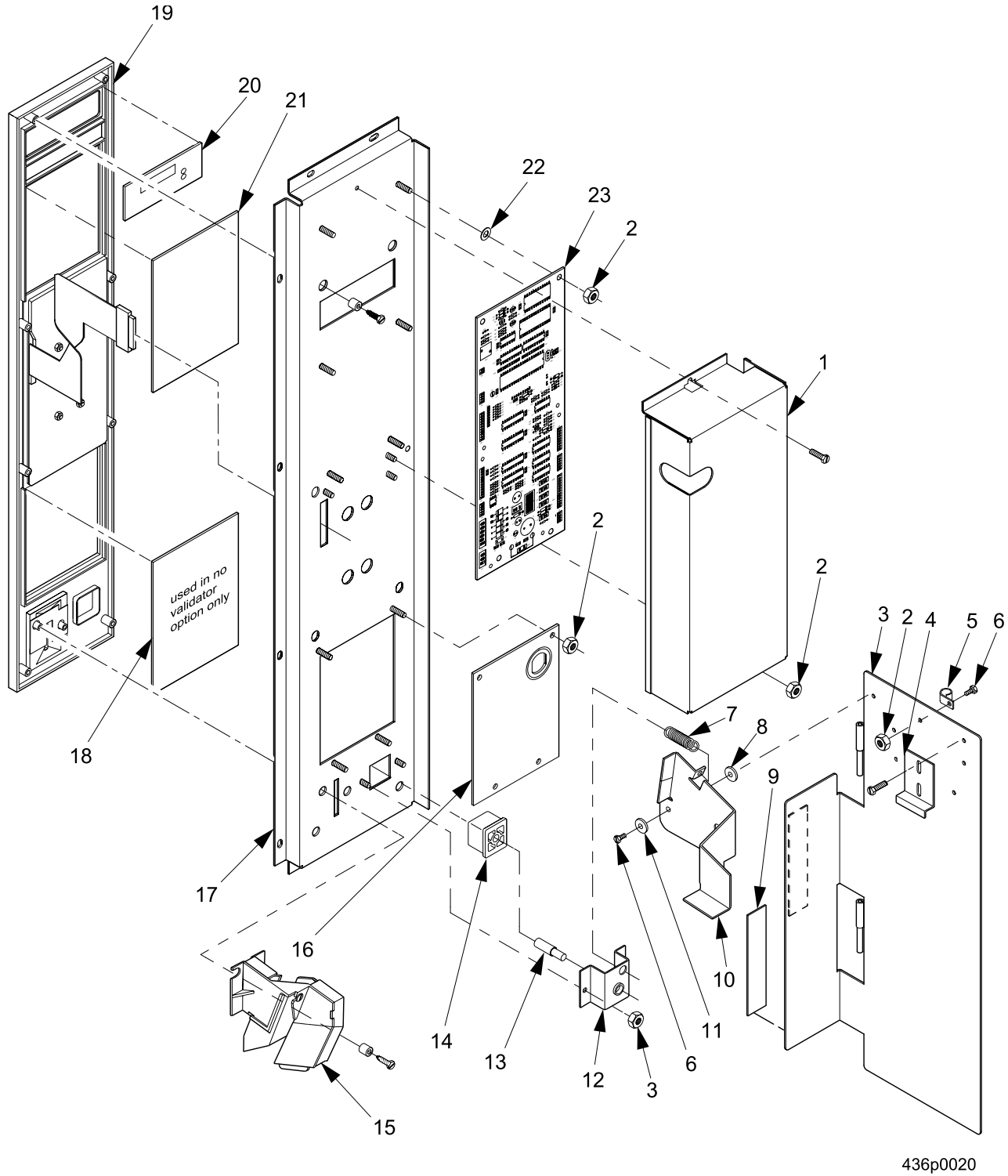
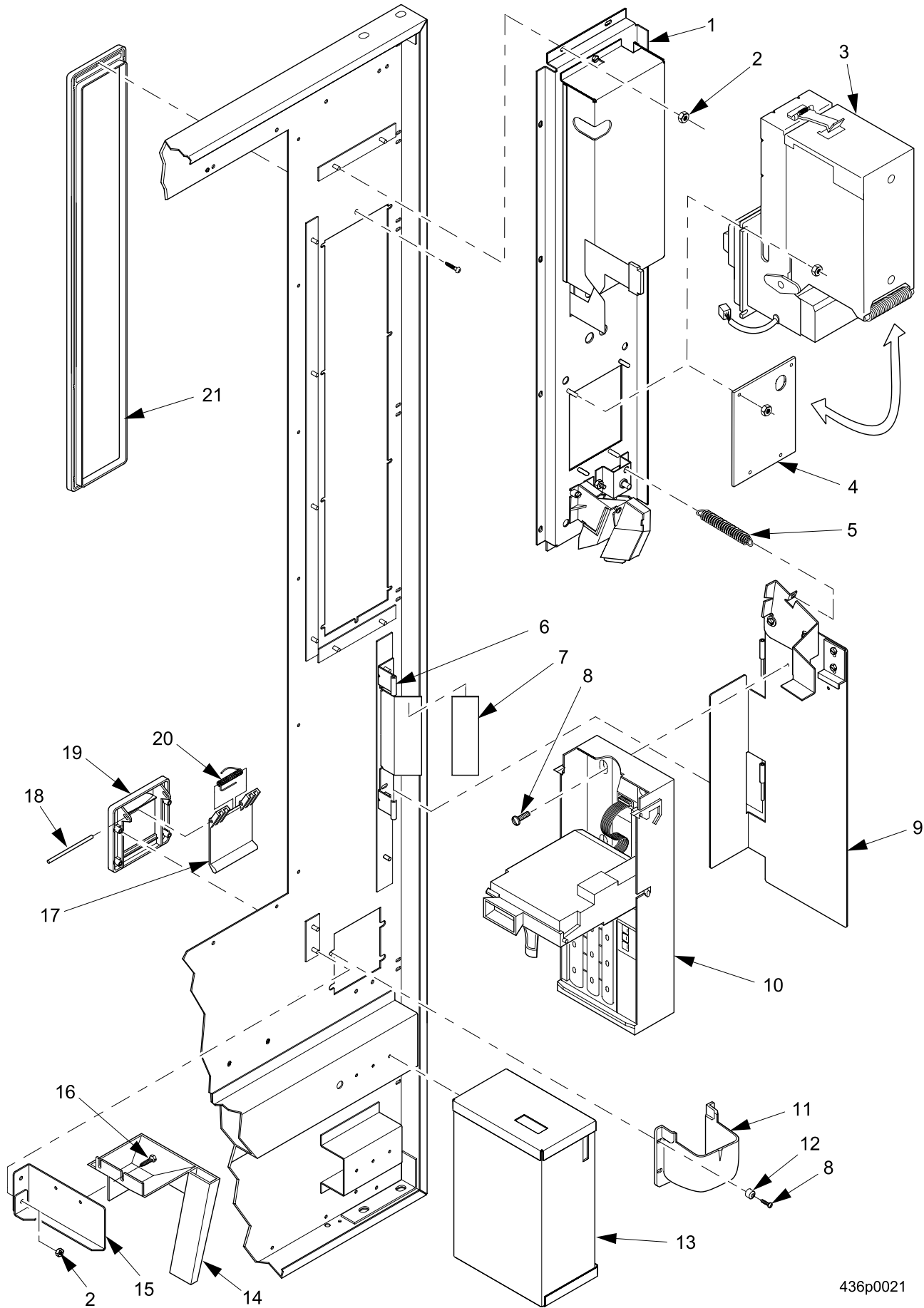


Figure 33. Monetary - Part 2

TABLE 33. MONETARY - PART 2

INDEX	PART NUMBER	DESCRIPTION	QTY.
1	4272066	COVER - CONTROL/INTERFACE PCB	1
2	9900081	NUT #8 - 32 KEPS ZINC PLATE	-
3	4362025	MOUNTING ASSY - CHANGER PLATE	1
4	6231037	CLAMP - CABLE	1
5	4305043	HARNESS CLIP - 1.00	1
6	9900106	SCREW #8 - 32 X 3/8 ACORN HEX HD	-
7	1127808	SPRING - SHELF RESET	1
8	2204093	WASHER - SCAVENGER BAR	1
9	3122056	MAGNET-RETAINR-COIN CHANGER KB	2
10	1571113	ARM - SCAVENGER	1
11	2228011	SPACER - RELEASE ARM	2
12	1571079	BRACKET - COIN RETURN BUTTON	1
13	1475072	SHAFT - RETURN BUTTON	1
14	1475026	BUTTON - COIN RETURN	1
15	1575003	COIN CHUTE ASSEMBLY	1
16	1575048	PLATE - INSERT BACKING	1
17	4275022	PLATE ASSEMBLY - MONETARY	1
18	1575035	INSERT - INSTR - LOWER - ENGLISH	1
19	-	FACE PLATE ASSEMBLY (SEE FIGURE 32)	-
20	4272003	LENS - DISPLAY	1
21	4275006	INSERT - INSTRUCTIONS - ENGLISH	1
22	5305318	WASHER - .257X.50X.062	6
23	4366000	PCB ASSEMBLY W/EPROM (INCLUDES THE NEXT TWO ITEMS)	1
-	9989744	PCB ASSEMBLY - GPL MAIN CONTROL	1
-	-	EPROM ASSEMBLY (SOFTWARE VERSIONS WILL VARY. CHECK THE LABEL ON YOUR EPROM BEFORE ORDERING.)	1



436p0021

Figure 34. Monetary - Part 3

TABLE 34. MONETARY - PART 3

INDEX	PARTNUMBER	DESCRIPTION	QTY.
1	-	MONETARY ASSEMBLY (SEE FIGURE 33)	1
2	9900081	NUT #8 - 32 KEPS ZINC PLATE	-
3	-	BILL VALIDATOR (SEE TABLE 36)	OPT.
4	1575048	PLATE - INSERT BACKING	OPT.
5	1127808	SPRING - SHELF RESET	1
6	4362027	MOUNTING ASSY - CHANGER BASE	1
7	3122056	MAGNET - RETAINR - COIN CHANGER KB	3
8	9900160	SCREW - #8 - 18 X 1/2"PHIL.PAN HD.	-
9	4362025	MOUNTING ASSY - CHANGER PLATE (SEE FIGURE 33)	1
10	-	COIN MECHANISM (SEE TABLE 35)	OPT.
11	1572010	CUP - COIN RETURN (U.S./MEXICO)	1
	7212154	CUP ASSY - COIN RETURN - METAL (U.K.) (NOT SHOWN)	
12	2302053	SPACER - CUP	4
13	9900160	SCREW - #8 - 18 X 1/2"PHIL.PAN HD.	-
14	-	MONEY BOX AND HOUSING ASSEMBLY (SEE FIGURE 37)	1
15	6231242	CHUTE - PAYOUT	1
16	4275001	MOUNT - PAYOUT CHUTE	1
17	1451097	SCREW - # 8-32X.31 HEX HD.TF - BLK.	-
18	4245082	GATE - COIN RETURN (U.S./MEXICO)	1
	7212191	GATE - COIN RETURN DOOR - STAINLES (U.K.) (NOT SHOWN)	
19	4245084	SHAFT - DOOR - COIN RETURN	1
20	1572011	TRIM - COIN CUP - BLACK	1
21	4245083	SPRING - COIN RETURN DOOR	1
22	1575106	CASTING - MONETARY FRAME - BLACK	1

TABLE 35. COIN UNIT OPTIONS

PART NUMBER	DESCRIPTION
5900244	COIN UNIT - COINCOUSD - G701MD
5900205	VALIDATOR - MARSVN2512 - U5E24
6400002	COIN CHANGER - MARS# TRC6010XV
5900243	COIN UNIT - TRC6512,1195500,CN
5900213	COIN UNIT - COINCO - 9302GXMDB
5900209	COIN - CONLUXUSLZ - 001"MDB"
5900210	VAL.MARS - VN2512 - U5M/500K
5900243	COIN UNIT - TRC6512,1195500,CN
5900213	COIN UNIT - COINCO - 9302GXMDB
5900272	VAL. - COINCOBA30SA(OBS)
5900214	COIN UNIT - MEI - VN4510 - MDB - CNS
5900192	COIN - CONLUXUSLX00401F
5900237	COIN MECH - CONLUXUSLX - 001
5900279	COIN MECH - CONLUXCCM5G - 4
5900276	COIN UNIT - VN4510 - 5/10/25/25
5900269	COINCO USQ - G701 - MDB - 4TUBE

TABLE 36. BILL VALIDATOR OPTIONS

PART NUMBER	DESCRIPTION
5900267	BILL VAL - CONLUX NBM3140MDB - 4
5900284	VAL - COINCO - MAGPRO - 30SA
5900285	VAL - COINCO - MAGPRO - 32SA
5900247	VAL - MARS AE2612 - U5M**MDB**
5900210	VAL.MARS - VN2512 - U5M/500 K
5900283	VAL - COINCO - MAGPRO - 32R

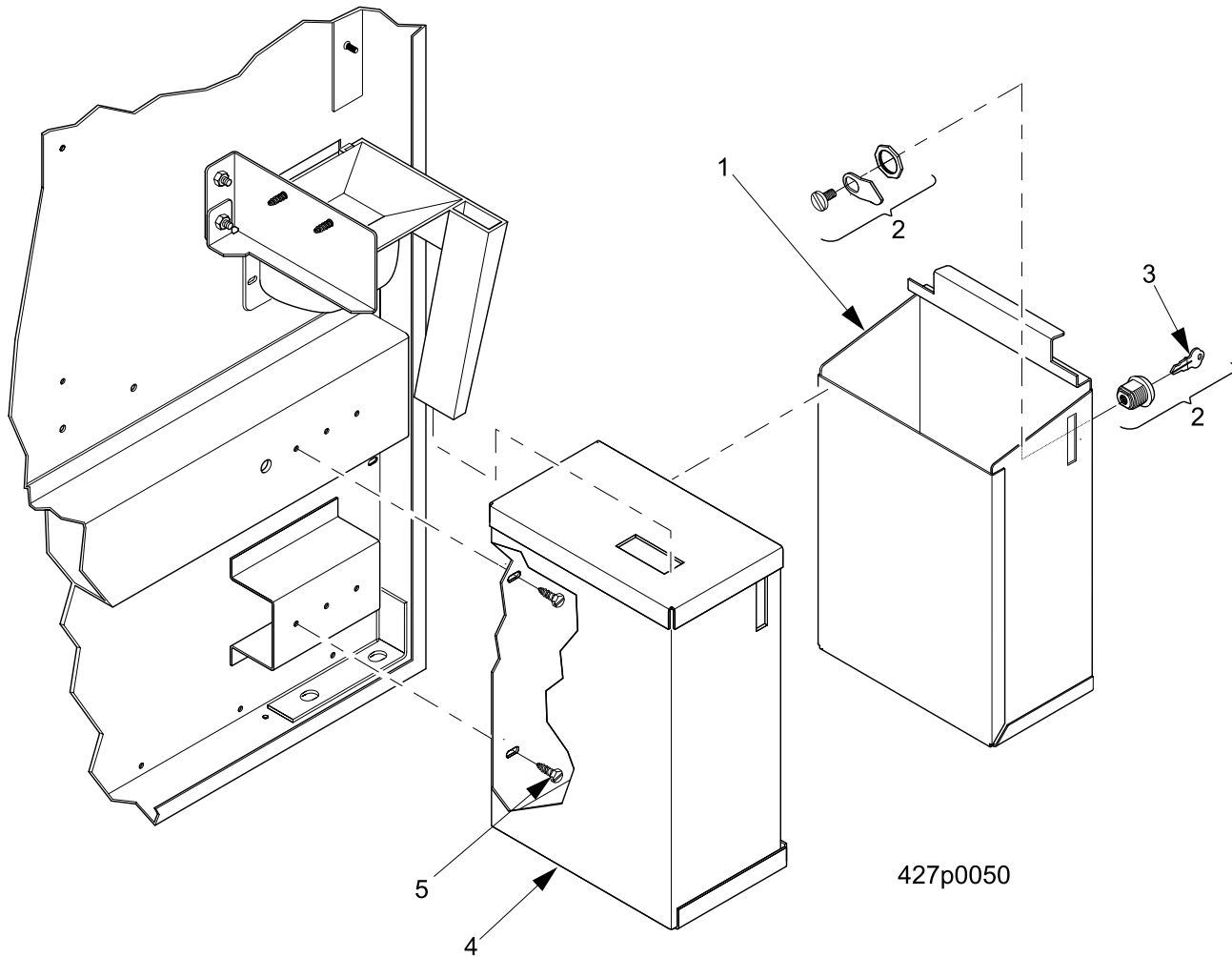


Figure 37. Money Box Assembly

TABLE 37. MONEY BOX ASSEMBLY

INDEX	PART NUMBER	DESCRIPTION	QTY.
1	4271031	MONEY BOX ASSEMBLY	1
2	4520864	MONEY BOX LOCK (INCLUDES ITEM 3)	1
3	4521035	KEY, MSU - 48, #352 - 48 (PART OF ITEM 2)	1
4	4275005	COIN BOX HOUSING ASSEMBLY	1

WD436001 WD 435001- 115V/ 230V

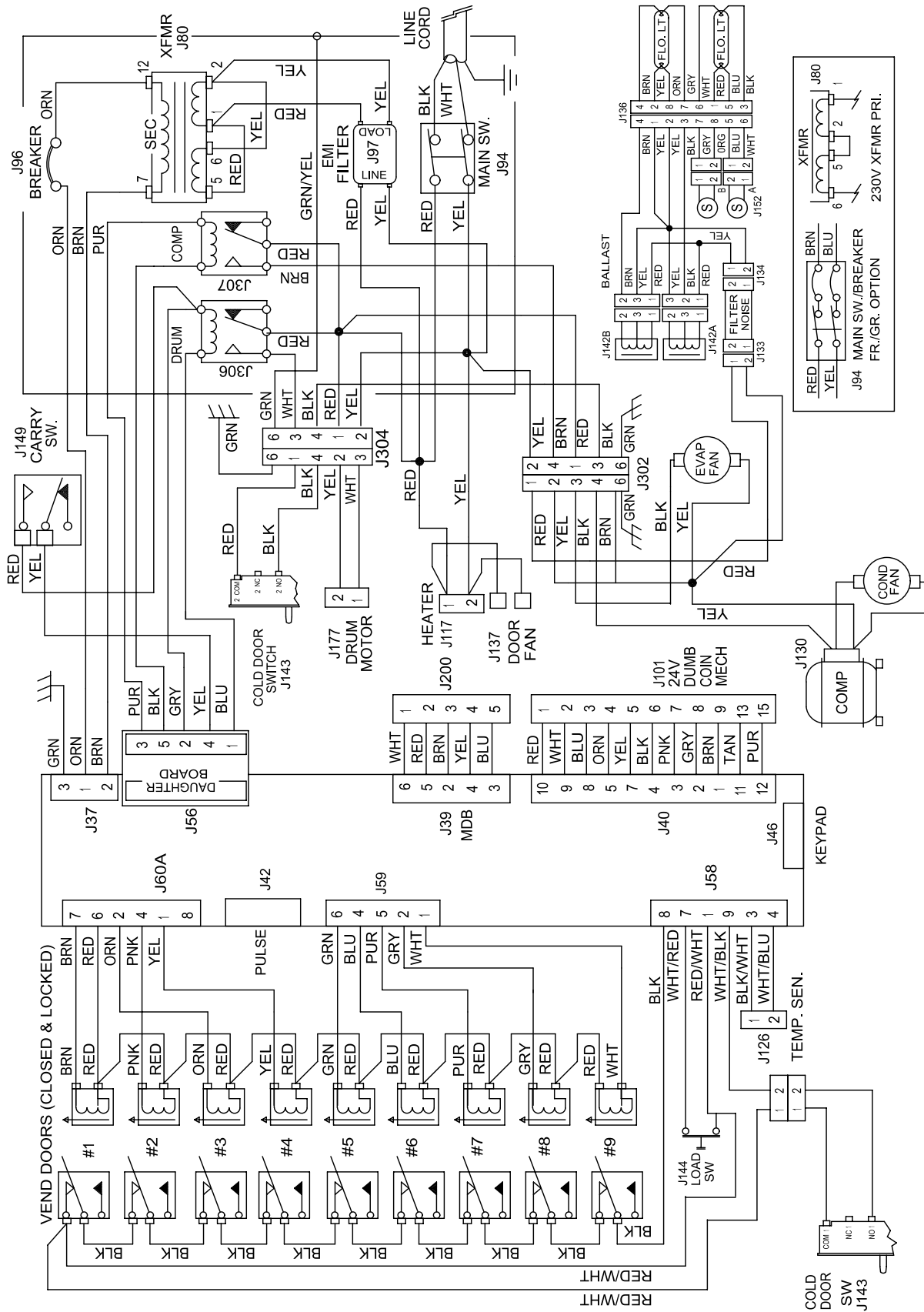


Figure 38. Wiring Harnesses

TABLE 38. WIRING HARNESES

CONNECTOR	PART NUMBER	DESCRIPTION
J37	4279004	HARNESS - POWER & RELAYS TO PCB
J39	4279009	HARNESS COINCO BA32SA
J40	4279013	HARNESS 24V DUMB MECH
J42	4279008	HARNESS 24V MARS PULSE
J56	4279004	HARNESS - POWER & RELAYS TO PCB
J58	4369002	HARNESS SOLENOIDS
J58	4369005	JUMPER - COLD DOOR
J59	4369002	HARNESS SOLENOIDS
J60	4369002	HARNESS SOLENOIDS
J80	4279004	HARNESS - POWER & RELAYS TO PCB
J94	4279033	HARNESS AC POWER AND PANEL
J96	4279004	HARNESS - POWER & RELAYS TO PCB
J97	4279033	HARNESS AC POWER & PANEL
J100	4279030	HARNESS COLD AC
J101	4279013	HARNESS 24V DUMB MECH
J126	4369002	HARNESS SOLENOIDS
J130	4369000	HARNESS REFRIGERATION ASSY
J133	4369000	HARNESS REFRIGERATION ASSY
J134	4279003	HARNESS FLST LIGHTS & POWER
J136	4279005	HARNESS FLST LIGHTS
J137	4279014	HARNESS DOOR FAN
J142	4279003	HARNESS FLST LIGHT & POWER
J143	4369002	HARNESS SOLENOIDS
J143	4369005	JUMPER - COLD DOOR
J144	4369002	HARNESS SOLENOIDS
J149	4279030	HARNESS COLD AC
J152	4279003	HARNESS FLST LIGHT & POWER
J177	4279030	HARNESS COLD AC
J200	4279009	HARNESS COINCO BA32SA
J302	4369000	HARNESS REFRIGERATION ASSY
J304	4279004	HARNESS - POWER & RELAYS TO PCB
J306	4279004	HARNESS - POWER & RELAYS TO PCB
J307	4279004	HARNESS - POWER & RELAYS TO PCB

NOTE:

If the wiring diagram and/or harness list included with your machine is different from those shown in this manual, use the newest information.

TABLE 39. BAG ASSEMBLY - U.S./CANADA

PART NUMBER	DESCRIPTION	QTY
WD436001	WIRING DIAGRAM - 436 - 115V/230V	1
4270022	COLUMN NUMBER CARD	-
4270025	LABEL - LOCATE FOOD HERE	1
4270048	LABELS - PRICE - DOM. - 40 CENTS T	1
4360001	SETUP MANUAL - DELI SHOP	1
4360002	INSTR - DELI SHOP MONETARY SET	1
4369001	LIST - WIRE HARNESSSES	1

TABLE 40. BAG ASSEMBLY - U.K.

PART NUMBER	DESCRIPTION	QTY
WD436001	WIRING DIAGRAM - 436 - 115V/230V	1
1575083	COIN CHUTE & BRACKET ASSEMBL	1
1575086	INSTR.SHEET - COIN CHUTE & BRK	1
4270022	COLUMN NUMBER CARD	-
4270025	LABEL - LOCATE FOOD HERE	1
4290004	LABELS - PRICE - U.K. - 25P TO 2L6	1
4290005	LABELS - PRICE - U.K. - 2L65P - 3L10	1
4360001	SETUP MANUAL - DELI SHOP	1
4360002	INSTR - DELI SHOP MONETARY SET	1
4369001	LIST - WIRE HARNESSSES	1

TABLE 41. BAG ASSEMBLY - MEXICO

PART NUMBER	DESCRIPTION	QTY
WD436001	WIRING DIAGRAM - 436 - 115V/230V	1
4270022	COLUMN NUMBER CARD	-
4270025	LABEL - LOCATE FOOD HERE	1
4270048	LABELS - PRICE - DOM. - 40 CENTS T	1
4360001	SETUP MANUAL - DELI SHOP	1
4360002	INSTR - DELI SHOP MONETARY SET	1
4369001	LIST - WIRE HARNESSSES	1

Part Number	Page	Part Number	Page	Part Number	Page
1127808	67, 69	2228011	67	4271108X	23, 47
1141046	11, 13	2272052	7	4271129	31
1171021	35	2302053	69	4271130	43
1172190	7	3104053	63	4271143	49
1172191	7	3104056	41	4271151	27
1211105	35, 57	3112163	7	4271152	27
1211112	37	3112164	7	4271154	47
1211141	25	3114114	63	4271163	43
1211161	17, 63	3122056	67, 69	4271166	47
1212140	11	3124083	63	4271173	47
1217159	11, 29	3154059	63	4272002	13
1302289	7	3157060	15, 29, 31	4272003	67
1302291	7	3502078	47	4272040	3
1302324	7	3502097	11, 17	4272052	11
1302326	7	4031148	29	4272053	11
1401110	21	4031150	49	4272060	11
1411194	33	4042094	47	4272066	67
1411195	33	4112095	19	4272069	3
1451056	31	4242145	37	4272093	17
1451097	15, 17, 19, 25, 29, 33, 41, 47, 69	4245082	69	4273019	21
1452139	17, 21, 63	4245084	69	4273021	19
1471098	37	4245186	21	4273023	19
1471237	37	4248083	69	4273039	15
1472222	65	4252029	21	4273044	17, 19
1472223	65	4254027	61	4273046	49
1472251	65	4254028	61	4273050	21
1475026	67	4270017	65	4273079	21
1475072	67	4270022	76	4273093	15
1475089	65	4270025	15, 76	4273106	19
1571074	33	4270048	76	4273112	19
1571079	67	4271001	47	4273114	19
1571113	67	4271002	47	4273115	19
1571195	37	4271004	47	4274000	63
1572010	69	4271031	73	4274009	59
1572011	69	4271037	35	4274055	57
1575003	67	4271048	31	4274082	59
1575035	67	4271055	47	4274176	63
1575048	67, 69	4271057	15, 17, 49	4275001	69
1575083	76	4271058	43	4275005	73
1575086	76	4271065	47	4275006	67
1575091	65	4271066	23, 33	4275022	67
1575106	69	4271077	33	4275023	65
1592031	3	4271080	47	4275025	65
1592032	3	4271081	41	4277004	43
1592068	3	4271086	29	4277008	47
1592069	3	4271088X	23, 47	4277011	43
1595013	65	4271098	13	4277012	23, 43
2204093	67	4271103	33	4277013	47
		4271105	33	4277024	45

Part Number	Page	Part Number	Page	Part Number	Page
4277029	45	4361001	15	4364008	63
4277030	45	4361002	15	4364012	55
4277031	43	4361025	43	4364013	55, 59
4277038	47	4361026	29	4364015	55, 59
4277042	45	4361027	27	4364016	55
4277049	45	4361028	29	4364017	55
4277050	47	4361029	29	4364018	55
4277051	47	4361030	27	4364019	51
4277052	43	4361040	27	4364022	61
4277053	45	4361041	27	4364024	53
4277055	43	4361042	27	4364025	53
4277060	43	4361043	43	4364026	49, 53, 59
4279003	75	4361051	47	4364028	55
4279004	13, 75	4361059	25	4364029	53
4279005	75	4362006	11, 13	4364030	53
4279008	75	4362013	11	4364034	63
4279009	75	4362019	3, 5	4364041	63
4279013	75	4362025	67, 69	4364043	63
4279014	75	4362027	69	4364044	63
4279015	49	4362032	3, 11, 23	4364045	49
4279030	75	4362049	11, 13	4364046	49
4279033	13, 75	4362051	11	4364047	51
4290004	76	4362052	11	4364048	51
4290005	76	4362053	11	4364049	49
4291089	31	4362054	13	4364051	55
4291107	31	4362055	13	4364056	51, 53
4293001	15, 17, 19	4362057	11	4364057	55
4293014	17, 19	4362058	11	4364058	59
4297001	45	4362059	11	4364059	63
4297003	43	4362060	11	4364060	63
4297004	43	4362061	13	4364061	63
4302134	63	4363000	21	4364065	57
4302277	29	4363007	17	4364066	57
4302290	7	4363008	19	4364067	57
4304151	59	4363013	21	4364068	57
4304231	57	4363014	21	4364069	55
4304236	61	4363016	21	4366000	67
4305043	67	4363023	19	4369000	75
4311211	11	4363028	15	4369001	76
4312124	17, 19	4363029	21	4369002	75
4312210	13	4363030	21	4369003	25
4312211	13	4363031	21	4369005	75
4314014	51	4363032	21	4402043	51
4314055	63	4364001	57	4520864	73
4314105	55	4364002	59	4521035	73
4314114	59	4364004	59	4525002	65
4319008	49	4364005	49	4551173	55
4360001	76	4364006	49	4551188	51
4360002	76	4364007	61	4614027	49

Part Number	Page	Part Number	Page	Part Number	Page
4721035	13, 27, 43	5900285	71	9900106	67
4727144	43	6104219	47	9900115	51
4732024	15, 31	6112042	47	9900121	7
4751060	25	6231034	37	9900130	11
5201266	17, 19	6231037	67	9900140	21
5202012	47	6231087	33	9900160	7, 69
5262139	29	6231163	37	9900218	37
5262141	21, 47	6231189	13	9900220	19
5305318	67	6231203	37	9984095	49
5900192	70	6231242	69	9984625	65
5900205	70	6232028	35, 37	9984629	31
5900209	70	6232031	37	9984633	21
5900210	70, 71	6232036	35, 37	9987852	17
5900213	70	6232208	35, 37	9989046	31
5900214	70	6396028	49	9989100	31
5900237	70	6400002	70	9989576	41
5900243	70	7212154	69	9989674	31
5900244	70	7212191	69	9989677	31
5900247	71	9072706	63	9989744	67
5900267	71	9900016	17	9989781	41
5900269	70	9900035	11	9992400	7
5900272	70	9900081	11, 13, 21, 37,	W	
5900276	70	67, 69	WD436001	76
5900279	70	9900090	21		
5900283	71	9900092	17		
5900284	71	9900098	33		

